

Spryte

West Mountain St.

L-95315-602 FB

2105057-106

Thiokol Chemical Corp.

Logan Utah

1201 WT

makevalle

1201-C

1-518-793 6696

mic

PARIS MANUAL

THIOKOL MODEL 1200-C

(Serial Nos. 1682-1706)

GOVERNMENT PROCURING AGENCY:  
U.S. ARMY TANK-AUTOMOTIVE COMMAND  
WARREN, MICHIGAN 48090

Supplied By

THIOKOL CORPORATION  
LOGAN DIVISION  
2503 NORTH MAIN STREET  
LOGAN, UTAH 84321

phone: (801) 753-0220

435

ENGINE TOP ASSEMBLY  
 MODEL 1200  
 SEE FIGURE 2-24

ITEM NO.	THIOKOL PART NO.	FORD P & A PART NO.	FORD ENGINEERING PART NO.	QTY.	DESCRIPTION
1	1202091			1	Fan, Cooling 17"
2	2128052-125			2	Hose Assembly, Hydraulic
3	01501-66			3	Hex hd. capscrew, 3/8 16 NC x 3/4 LG.
4	01551-6			11	Flat Washer, 3/8 LG.
5	01624-3			4	Street Elbow, 3/8
6	1202083			1	Remote Oil Filter Kit
7	0602008			1	Oil filter (Fram #PH7)
8	2125037			1	Ball Joint
9	01524-2			1	Stop Nut, 5/16-18 NC
10	2125098-02			1	Spacer
11	2125096			1	Extension Arm
12	01501-40			1	Hex Hd. Capscrew, 5/16-18 NC x 1/4 LG.
13	2102015			1	Drain Cock
14	2102009-2			1	Oil Pan and Screen Assembly
15	1202081-1			1	Engine Mount, Motor L.H.
16	01501-106			1	Hex Hd. Capscrew, 7/16-14 NC x 2 1/2 LG.
17	2125098-01			1	Spacer
18	2102077			4	Washer, Rear Engine Mount
19	1202038-1			4	Engine Mount
20	2125036			1	"U" Bolt
21	2125035			1	Shim
22	2125097			1	Bracket, Shift Cable
23	01525-35			2	Elastic Stop Nut, 10-32 NF
24	01552-8			2	Split Lock Washer, 3/8 Nominal
25	01501-73			1	Hex. Hd. Capscrew, 3/8-16 NC x 1 3/4 LG.
26	01501-138			2	Hex. Hd. Capscrew, 1/2-13 NC x 3 LG.
27	01552-10			2	Split Lock Washer, 1/2 Nominal
28	01501-68			2	Hex. Hd. Capscrew, 3/8-16 NC x 1 LG.
29	1202079			1	Rear Engine Mount
30	2125033			1	MA Control Head
31	01515-115			10	Flat Hd. Machine Screw, 1/4-20 NC x 3/8 LG.
32	2125038-3			1	Transmission Shift Cable
33	1202093			1	Base Engine: Ford 300 W/C-6 Transmission
34	01635-2			1	Pipe Nipple, 1/8 NPT x 1 1/2 LG.
35	0101456			1	Clamp
36	2125056			1	Hose, 5/16 x 12 LG. Gates #4759

ENGINE TOP ASSEMBLY  
MODEL 1200  
SEE FIGURE 2-24

ITEM NO.	THIOKOL PART NO.	FORD P & A PART NO.	FORD ENGINEERING PART NO.	QTY.	DESCRIPTION
37.	2125029			1	Pick-up Modification
38	2125030 -102			1	Transmission Pan Modification
39	1202039			2	Washer, 11/16 I.D.
40	01500-198			2	Hex. Hd. Capscrew, 5/8-18 NF x 3 IG.
41	01552-9			6	Split Lock Washer, 7/16 Nominal
42	01501-96			4	Capscrew, 7/16-14 NC x 3/4 IG.
43	01501-72			4	Hex. Hd. Capscrew, 3/8-16 NC x 1½ IG.
44	1202081-3			1	Engine Mount, Motor R.H.
45	01525-42			2	Elastic Stop Nut, 5/8-18 NF
46	2125034			1	Mounting Flange
47	01501-102			1	Hex. Hd. Capscrew, 7/16-14 NC x 1½ IG.
48	1202092			1	Adjusting Arm, Alternator Modification
49	2102049			1	Oil Level Indicator Tube
50	2115142-3			1	Temperature Sender, 1/8 NPT
51	2115144-3			1	Oil Pressure Sender
52	01524-3			4	Unitorque Nut, 3/8-16 NC
53					Carburetor Assy. & Attaching Hardware
					(N-3-33) Includes Next 4 Items:
				1	Gasket-Carburetor to Intake Manifold
				2	Stud 3/8-24 NF-16 NC x 1.62
				2	Nut 3/8-24 NF Hex
				1	Carburetor Assembly
					Fuel Pump Assembly (N-5-12)
					Includes Next 6 Items:
				1	Pump Assembly-Fuel
				1	Gasket-Fuel Pump
				2	Bolt 5/16-18 x 1.25
				2	Lockwasher 5/16 % Attach Fuel Pump
				1	Hose-Fuel Tube Connector
					.288 I.D. x .547 O.D x 9.0
				2	Clamp-Hose
					/Attach/9324/Hose to Fuel Pump Inlet.
					Tape Second Clamp to /9324/Hose/
54					



ENGINE TOP ASSEMBLY  
MODEL 1200  
SEE FIGURE 2-24

ITEM NO.	THIOKOL PART NO.	FORD P & A PART NO.	FORD ENGINEERING PART NO.	QTY.	DESCRIPTION
			E42999-58	1	Bolt 3/8-16 x 1- 1/8 Locking
			E352981-58	1	Washer 3/8 Flat & Attatch Adj. arm to Alt
			C7JZ-8620-D	2	Belt-Alt. & Water pump 15/32 x 4.50/Matched pair/
			%34656-5	3	Nut & Lockwasher-10-32
			%34081-58	1	Nut 1/4-28 Hex.
			%34805-57	1	Lockwasher 1/4 % Attach to Alternator Terminals
59		C9ZZ-9278-A	C9ZF-9D290-A M4G-46A	1 AR	Oil Pressure Sending Unit 12 Volt-1/4-18 N.P.T (N-14-4) Includes Next 2 Items: Oil Pressure Sending Unit Sealer-Conductive/use on threads of sending units/
60		C20Z-6734-A D5TZ-6626-A D0AZ-6781-B C6AZ-7A191-B C6AZ-7E062-A	C20E-6734-A D5TE-6625-AA C6AP-7A191-B C6AP-7E062-A 380645-5 20464-5	1 1 1 1 1 4 2	Oil Pan Accessories (N-12-10) Includes Next 8 Items Gasket-Oil Drain Plug Gasket-Oil Pump Inlet Tube Flange Kit-Engine Oil Pan Gasket Gasket-Oil Pan to Crankcase Gasket-Oil Screen Stud Screw Plug - Magnetic Oil Drain Fuel Line (N-15-1) Includes Next 2 Items:
61	01651-21		C5AE-9369-C	1	Tube Assy.-Fuel Pump to Carb.
62	2102023		EAA-99356-A	1	Clip-Fuel and Vacuum Line Ignition Resistor and Hi-Tension Lead (N-25-1) Includes Next 4 Items: Resistor-Ignition Coil Wire-Coil to Resistor Terminal Wire Snap on Female Nut and Washer-No. 10-32
63		B2AZ-9A317-A	FEU-12250-C FDR-14495-B FDR-14474-A 34656-58	1 1 1 1	

ENGINE TOP ASSEMBLY  
MODEL 1200  
SEE FIGURE 2-24

ITEM NO.	THIOKOL PART NO.	FORD P & A PART NO.	FORD ENGINEERING PART NO.	QTY.	DESCRIPTION
64		C5TZ-6750-J C7JZ-6784-A	C5TE-6750-S ESE-M4G118-A AR	1 1 AR	Oil Level Indicator and Tube/ for Horizontally Mounted- Crankshaft Applications (N-26-9) Includes Next 3 Items.
65			D2AE-6A373-AA 43040-58	1 3	Indicator Assy. - Oil Level Tube - Oil Level Indicator Sealer Rear Engine Plate Automatic C-6 (N-31-11) Includes Next 2 Items
66			D3JL-6404-B	1	Plate - Rear Engine Bolt 7/16 - 14 X 1.0 Locking/Att. Rear Engine Plate to Block Engine Name Plate (N-32-1) Includes Next Item
67			C5AZ-6758-A C5TZ-6A664-E	1 1	Plate - Engine Name Crankcase Emission System (N-34-1) Includes Next 5 Items
68		A8AZ-8575-B C8AZ-8592-B	C5TE-6758-A 97331-S35 C5TE-6853-Z D2OE-6A666-BA 381898-S  C6RA-8575-F1 %C5TE-8575-A D3TE-8255-AA C8AE-8594-A %376255-S	1 2 1 1 1 1  1 1 1 1 2	Tube Assy. - C/Case Vent Clamp - Hose Hose - C/Case Vent Valve Assy. - C/Case Emission Grommet Water Outlet Connection and Thermostat 178 Deg. F- Low Fan/(N-35-14) Includes Next 7 Items Thermostat Assy. - 178 Deg. F % Alternate, Robertshaw Source Gasket - Water Outlet Connection Connection - Water Outlet Bolt 5/16 - 18 X .88 Hex % Attach/859-4/to Cylinder Head

ENGINE TOP ASSEMBLY  
MODEL 1200  
SEE FIGURE 2-24

ITEM NO.	THIOKOL PART NO.	FORD P & A PART NO.	FORD ENGINEERING PART NO.	QTY.	DESCRIPTION
			386819-S	1	Cap - Water Outlet Connection
			E376413-S8	1	Clamp - Hose & Attach/8A500/ to/8594/
69			C5AE-9C322-A	1	Bracket - Fuel Pump to Carburetor Tube
					Water Pump Pulley - Dual Sheave/ Low Fan with 1.25/1 Fan to Engine Speed/(N-35-15) Includes Next Item
70		C6AZ-8509-L	C6AE-8509-D	1	Pulley - Water Pump Distributor Vacuum Line (N-45-3) Includes Next Item
			C8DE-12226-G	1	Hose - Distributor Vacuum Radiator Assembly (N-102-14) Includes Next 3 Items
71			DOTJ-8005-A	1	Radiator Assy
		C5TZ-8005-AC	D2AE-8100-A	1	Cap - Radiator
		C9AZ-8100-A	8A-8115	1	Drain Cock Assy Air Cleaner Assembly - Engine Mounted Offset H.D. - Oil Bath Type-/Use with No Governor - Holly 1940 Carburetor/(N-105-31) Includes Next 11 Items
72			C6UF-9600-C	1	Cleaner Assy.-Air
			386819-S	1	Cap
			%376413-S8	1	Clamp % Attach/8A500/To Emission System Conn. on Air Cleaner
			373706-S	1	Stud 1/4-20 X 3.56
			358871-S8	1	Wing Nut 1/4-20
		C5UZ-9A627-B1	C5UF-9A627-C	1	Bracket - Carb. Air Cleaner Support
			D4JL-9A627-A	1	Bracket - Carb. Air Cleaner Support

ENGINE TOP ASSEMBLY  
MODEL 1200  
SEE FIGURE 2-24

ITEM NO.	THIOKOL PART NO.	FORD P & A PART NO.	FORD ENGINEERING PART NO.	QTY.	DESCRIPTION
			CITE-9697-A	1	Grommet - Seal
			%57632-S2	4	Screw and Washer Assy, 5/16-18 X .62 % Attach/9A62/to/9600/Attach Bottom End of/9A627-A/Under Coil Attaching Bolt
			%33799-S8	1	Nut 3/8-16
			%34792-S36	1	Lockwasher 3/8% Attach Lower End/9A627-C/To Manifold Stud
73				1	Regulator - Alternator and Relay Assy/for 12 V. Ford Alternator/(N-114-3) Includes Next 2 Items
74	01629-2	D4HZ-10316-A B6AZ-11450-A	D4HF-10316-AA D2AF-11450-AA	1	Regulator - Alternator, 12 V. Relay Assy. - Starting Motor Pipe Fitting, Bushing - 1/8 to 3/8
75	01629-1			1	Pipe Fitting, Bushing - 1/8 to 1/4
76	2102238			1	Gasket, Oil Pick-Up
77	2102007			1	Screen & Cover Assembly
78	2102045			1	Breather Cap
79	01521-36			1	Jam Nut, 1/4-28 NF
80	2125037			1	Ball Joint
81	0602050	C5AZ-6781-A		1	Gasket, Oil Pan
82				1	Transmission (See Transmission Insert)

5/11/77



FUEL SYSTEM  
 MODEL 1200  
 SEE FIGURE 4-29

ITEM NUMBER	PART NUMBER	QTY.	DESCRIPTION
1	0304006	1	Accelerator Pedal
2	01500-66	1	Hex. Hd. Capscrew, 3/8-24 NF x 3/4 Lg.
3	01521-38	1	Jam Nut, 3/8-24 NF
4	01525-37	22	Elastic Stop Nut, 5/16-24 NF
5	01551-5	14	Flat Washer, 5/16 Large
6	01500-36	6	Hex. Hd. Capscrew, 5/16-24 NF x 3/4 Lg.
7	01731-1	1	Bearing, Flanged
8	01500-6	2	Hex. Hd. Capscrew, 1/4-28 NF x 3/4 Lg.
9	01554-6	1	Split Lock Washer, 1/4 Med.
10	01520-36	1	Hex. Nut 1/4-28 NF
11	1204057-3	1	Gas Pedal Arm
12	01542-100	1	Roll Pin
13	0101337	7	Sems Nut, #10-32 NF
14	1204101	1	Throttle Rod
15	1202084	Ref	Fuel Pump (See Engine Group)
16	2104063	1	Gas Line
17	2104103	1	Anchor Clip, Sliding
18	01501-36	2	Hex. Hd. Capscrew, 5/16-18 NC x 3/4 Lg.
19	01552-7	2	Split Lock Washer, 5/16 Light
20	1204089	1	Throttle Rod Assembly
21	1404043	1	Cap, Fuel Tank
22	1204022	1	Fuel Tank, 45 Gallons
23	01521-36	2	Jam Nut, 1/4-28 NF
24	0604105	1	Throttle Cable
25	1204104	1	Foot Reaction Bracket
26	1204106	1	Guard, Fuel Tank
27	1404018	1	Choke Control Cable
28	1204098	1	Fuel Line Assembly
29		Ref	Carburetor (See Engine Group)
30		1	Throttle Link Assembly (Ford #C20Z-9772-B)
31	1204092	1	Throttle Rod Bracket
32	01541-82	1	Cotter Pin
33	1204093	1	Crank Arm
34	1204114	1	Sliding Rod Assembly (Includes the next 3 items)
	1204090	1	Throttle Rod
	01521-36	1	Jam Nut, 1/4-28 NF
	1204054	1	Ball Joint Assembly
35	01525-36	6	Elastic Stop Nut, 1/4-28 NF
36	2125039-5	2	Guide
37	1204096	1	Compression Spring #10-32 NF x 3/4 Lg.
38	01533-78	5	Pan Hd. Machine Screw, #10-32 NF x 3/4 Lg.
39	0101508	7	Fiber Washer
40	01550-8	2	Split Lock Washer 5/16 Med.
41	0104060	1	Cap, Sending Unit
42	1204097	1	Kick Down Rod

FUEL SYSTEM  
 MODEL 1200  
 SEE FIGURE 4-29

ITEM NUMBER	PART NUMBER	QTY.	DESCRIPTION
43	1304010	3	Gasket
44		1	Wire, Hypolon, 16 Ga. Brown
45	0101638	2	Ring Tongue
46	2125044	1	Compression Spring
47	2115138	1	Fuel Sending Unit
48	2104169	1	Collar 1/4"
49	1204108	4	Hold Down Strap
50	01550-8	1	Flat Washer, 5/16 Small
51	0204023	1	Fuel Shut-Off Valve
52	01533-74	1	Pan Hd. Machine Screw, #10-32 NF x 3/8 Lg.
53	01554-7	2	Split Lock Washer, 5/16 Med.
54	2125046	1	Bushing, Transmission
55	2125047	1	Retaining Washer
56	01705-4	3	Line Clamp
57	01533-76	4	Pan Hd. Machine Screw #10-23 NF x 1/2 Lg.
58	1202046	2	Spring
59	1204102	1	Throttle Rod Guide
60	1204054	2	Ball Joint
61	01501-36	2	Capscrew, 5/16-18 NC x 3/4 Lg.
62	01500-41	4	Hex. Hd. Capscrew, 5/16-24 NF x 1-3/8 Lg.
63	2107059	8	Fender Washer, 5/16
64	01620-2	1	Coupling
65	01635-25	1	Pipe Nipple
66	2104115	1	Shut-Off Valve
67	01675-1	2	Hose Clamp
68	01650-2	1	Hose Connector
69	01554-7	2	Split Lock Washer, 5/16 Med.
70	01520-7	2	Hex. Nut, 5/16-18 NC
71	01501-37	2	Hex. Hd. Capscrew, 5/16-18 NC x 7/8 Lg.
72	2104106	1	Sediment Bowl
73	2104105	1	Sleeve, 5/16 Tube
74	2104131	1	Nut, Inverted Flare
75		1	Hose, 5/16 I.D. x 16 Lg. Gates #4795
76	01615-4	1	Adapter
77	1204111	1	Guard, Fuel Line (4 man cab only)
78	01538-35	4	Screw Tapping (4 man cab only)
79	01511-82	1	Set Screw, 1/4-20 NC x 3/16 Lg.
80	1204113	1	Mount Bracket, Throttle
81	2104164	1	Clamp
82	0104063	1	Stop, Throttle, Cable
83	1404088	1	Hose Clamp

SUSPENSION ASSEMBLY  
 MODEL 1200  
 SEE FIGURE 5-27

Page 1 of 1

ITEM NUMBER	PART NUMBER	QTY.	DESCRIPTION
1	1205077-25	1	Axle Assembly, 3-3/4 Arm (Std. Track)
2	2105008	4	Nylon Bushing (Used on Item #1)
3	2105009	2	Snap Ring (Used on Item #1)
4	01500-70	4	Hex. Hd. Capscrew, 3/8-24 NF x 1-1/4 Lg.
5	2105010	16	Nylon Bushing (Used on Item #7)
6	2105011	8	Snap Ring (Used on Item #7)
7	1205077-17	3	Axle Assembly, 6" Arm (Std. Track)
8	01530-43	10	Slotted Nut, 3/4-16 NC
9	01541-145	10	Cotter Pin, 3/16 x 1 1/2 Lg.
10	1205040	10	Grease Cap
11	1205044	10	Washer
12	1205037	10	Cone, Outer
13	2105057-106	10	Tyrfill Wheel Assy
14	0105054	10	Cup, Outer
15	1205048	10	Cup, Inner
16	1205043	10	Cone, Inner
17	1205041	10	Grease Seal
18	0101226	12	Grease Fitting 1/3 NPT
19	01500-192	28	Hex. Hd. Capscrew, 5/8-18 NF x 1 1/2 Lg.
20	01525-42	28	Elastic Stop Nut, 5/8-18 NF
21	01501-8	8	Hex. Hd. Capscrew, 1/4-20 NC x 1 Lg.
22	01554-6	8	Split Lock Washer
23	2105023	2	Cylinder
24	2105042	2	Shaft
25	2105022	2	Hose Assembly
26	1205101	2	Retaining Ring
27	2105021	2	Plate, Track Adjusting
28	1205096	2	Back-Up Washer, Large
29	1205099	2	Vee Packing, Large
30	01500-234	2	Hex. Hd. Capscrew, 3/4-16 NF x 4 1/2 Lg.
31	01525-43	2	Elastic Stop Nut, 3/4-16 NF
32	1205095	2	Pin
33	01525-38	4	Elastic Stop Nut, 3/8-24 NF
34	1207375-1	1	Sliding Member, L.H.
35	1207375-2	1	Sliding Member, R.H.
36	1205109	1	Rear Axle Mod.

1205104-7  
 5/11/77

COOLING SYSTEM  
 MODEL 1200  
 SEE FIGURE 6-28

ITEM NUMBER	PART NUMBER	QTY.	DESCRIPTION
1	1206044-3	1	Radiator, Modified
2	01501-36	15	Hex. Hd. Capscrew, 5/16-18 NC x 3/4 Lg.
3	01554-7	20	Split Lock Washer, 5/16 Med.
4	1206065	1	Bracket, Radiator Mount
5	1206018-3	1	Drain Cock Assembly (Includes the next 3 items)
	1306008	1	Drain Cock
	01620-2	1	Coupling
	01635-24	1	Nipple, 1/4 x 2
6	1206074	1	Fan Shroud
7		1	Hose 5/8 I.D. x 32 Lg. Gates #3230
8	0106020	1	Connector, Hose, Barbed Insert
9	1206071-1	1	Mount Bracket, Heater L.H.
10		1	Hose, 5/16 I.D. x 72 Lg. Gates #3225
11	01625-3	1	Street Elbow
12	1206071-2	1	Mount Bracket, Heater R.H.
13	01501-12	4	Hex. Hd. Capscrew, 1/4-20 NC x 1-1/2 Lg.
14	01554-6	4	Split Lock Washer, 1/4 Med.
15	2106134	2	Clamp Plate
16	2125050-11	1	Cooler
17	01629-5	2	Bushing
18	01650-5	2	Hose, Connector, Elbow, Barbed Insert
19	01675-1	4	Hose Clamp
20	0106021	1	Radiator Cap
21		1	Hose, 5/16 I.D. x 96 Lg. Gates #3225
22	01501-37	4	Capscrew, 5/16-18 NC x 7/8 Lg.
23	1206031	6	Radiator Nut
24	01654-1	2	SAE Male Swivel, Inverted Flare
25	01675-2	4	Hose Clamp
26	2106039	2	Hose Connector, Barbed Insert
27		1	Hose 5/8 I.D. x 36 Lg. Gates #3230
28	01701-17	1	Hose, Lower
29	01675-9	4	Hose Clamp
30	01701-7	1	Hose, Upper
31	1206070	1	Backing Plate
32	1206073	1	Heater Modified
33	01501-6	8	Hex. Hd. Capscrew, 1/4-20 NC x 3/4 Lg.
34	1206072	4	J Nut, 1/4-20 NC
35	01538-33	4	Pan Hd. Tapping Screw #10
36		A/R	Weather Strip, 1/8 x 3/4 Wider, Rubber, Self adhesive
37	01551-5	5	Washer Flat, 5/16 Large
38		A/R	Hose 5/16 I.D. X 36 Lg, Gates #4795
39	01618-35	2	Plug
40	2106041	1	Shut Off Valve, Hot Water
41	2106040-5	1	Control Cable, Temp.
42	1700-56	4	Grommet, Rubber 1/2 I.D.

COOLING SYSTEM  
MODEL 1200  
SEE FIGURE 6-28

Page 2 of 2

ITEM NUMBER	PART NUMBER	QTY.	DESCRIPTION
43	2106140	4	Spacer Tube
44		A/R	Weather Strip 3/16 x 3/4 Foam, Durkee- Atwood 3650
45	1201055	1	Tag, Manilla 3-1/8 x 6
46	1700-33	1	Grommet

1206067  
5/11/77

REAR SEAT & RUMBLE SEAT INSTALLATIONS  
 MODEL 1200 MIL.  
 SEE FIGURE 7-37

ITEM NUMBER	PART NUMBER	QTY.	DESCRIPTION
1	1208223-102	1	Seat Frame Assembly
2	01525-38	5	Elastic Stop Nut, 3/8-24 NF
3	01551-6	5	Flat Washer, 3/8 Large
4	01500-70	5	Hex Head Capscrew, 3/8-24 NF X 1-1/4 Lg.
5	1208234	5	Seat Belt
6	1408093-103	1	Seat Cushion
7	1408094-104	1	Seat Back
8	01551-10	4	Flat Washer, 3/4 Large
9	01551-6	6	Flat Washer, 3/8 Large
10	01554-8	4	Split Lock Washer, 3/8-16 NC
11	01532-6	4	Wing Nut, 3/8-16 NC
12	1408093-104	1	Seat Cushion
13	01525-4	2	Elastic Stop Nut, 3/8-16 NC
14	1408093-105	1	Seat Back
15	01538-36	24	Screw, Tapping, #10-7/8 Lg.
16	1208285-102	1	Seat Frame Weldment
17	01501-68	2	Hex. Head Capscrew, 3/8-16 NC X 1 Lg.
18	1208294	2	Snap, Safety Link
19	108280-06	2	Chain, 19" Lg.
20	1208225	4	Link, Open End

5/11/77

CHASSIS MODIFICATION  
 MODEL 1200  
 SEE FIGURE 7-38

Page 1 of 1

ITEM NUMBER	PART NUMBER	QTY.	DESCRIPTION
1	1207501-103	1	Stake Rack Rear
2	1207504	2	Cover, Cargo Bed
3	01525-2	22	Elastic Stop Nut, 1/4-20 NC
4	01551-4	22	Flat Washer, 1/4 Large
5	01533-125	8	Flat Hd. Machine Screw, 1/4-20 NC X 2 Lg.
6	1207510	1	Tread Plate, Rear
7	1208282-16	1	Insul. Mat
8	01706-96	4	Pop Rivet
9	0108180	2	Reflector Amber (Front)
10	01501-3	4	Hex. Hd. Capscrew, 1/2 - 20 NC X 1/2 Lg.
11	01550-7	8	Flat Washer, 1/4 Small
12	01554-6	4	Split Lock Washer, 1/4 Med.
13	2119154	1	Cover Plate
14	01525-8	8	Elastic Stop Nut, 5/8 - 11 NC
15	01501-192	8	Hex. Hd. Capscrew, 5/8 - 11 NC X 1 1/2 Lg.
16	1207508	1	Lifting Eye Weldment
17	01501-130	4	Hex. Hd. Capscrew, 1/2 - 13 NC X 1-1/4 Lg.
18	01525-6	4	Elastic Stop Nut, 1/2 - 13 NC
19	1207505	1	Tread Plate, Passenger Side
20	1207506	1	Tread Plate, Driver Side, R.H.
21	1207507	1	Tread Plate, Driver Side, L.H.
22	01506-25	108	Carriage Bolts, 1/4-20 NC X 2 Lg.
23	0101410	4	Rivet
24	1207503	2	Channel
25	1207501	1	Stake Rack, L.H.
26	1207501-102	1	Stake Rack, R.H.
27	01525-2	4	Elastic Stop Nut, 1/4-20 NC
28	0108080	2	Reflector Red, (Rear)
29	01534-100	4	Pan Hd. Machine Screw, 1/4-20 NC X 1 Lg.
30	01506-43	12	Carriage Bolt, 5/16 - 18 NC X 1 1/2 Lg.
31	0608131	2	Corner Connection L.H.
32	0608132	2	Corner Connection R.H.
33	01554-7	12	Split Lock Washer, 5/16 Med.
34	01520-7	12	Hex. Nut, 5/16 - 18 NC
35	01520-6	108	Hex. Nut, 1/4-20 NC
36	01554-6	108	Split Lock Washer, 1/4 Med.
37	1208282-06	1	Insul. Mat
38	1208282-07	1	Insul. Mat
39	01536-122	14	Flat Lid. Machine Screw, 1/4-20 NC X 1-1/4 Lg.

5/11/77

LOWER CHASSIS FRAME  
MODEL 1200  
SEE FIGURE 7-39

Page 1 of 1

ITEM NUMBER	PART NUMBER	QTY.	DESCRIPTION
1	1207496	1	Lower Chassis Frame
2	01551-6	16	Flat Washer, 3/8 Large
3	01501-72	8	Hex. Hd. Capscrew, 3/8-16 NC X 1½ Lg.
4	1207492	2	Stop Cross Member
5	01524-24	12	Uni-Torque Lock Nut, 7/16-20 NF
6	01551-7	32	Flat Washer, 7/16 Large
7	1207497	1	Cross Member, Front
8	2109082-3	12	Flat Washer
9	1411022-3	8	Flat Washer
10	1205110	4	Insulator, Cab Mount
11	1411022-2	20	Flat Washer
12	01525-41	4	Elastic Stop Nut, 9/16-18 NC
13	01500-112	4	Hex. Hd. Capscrew, 7/16-20 NF X 4 Lg.
14	1411010-15	4	Spacer, Cylindrical
15	1205110-102	4	Insulator, Cab Mount
16	01504-174	4	Hex. Hd. Capscrew, 9/16-18 NC X 4½ Lg.
17	01501-102	4	Hex. Hd. Capscrew, 7/16-14 NC X 1½ Lg.
18	01525-5	4	Elastic Stop Nut, 7/16-14 NC
19	01500-114	18	Hex. Hd. Capscrew, 7/16-20 NF X 4½ Lg.
20	0607015	8	Flat Washer
21	0607006	16	Insulator, Cab Mount
22	1411010-11	8	Spacer, Cylindrical
23	2109082	8	Flat Washer
24	01525-4	8	Elastic Stop Nut, 3/8-16 NC

5/11/77



CHASSIS ASSEMBLY  
 MODEL 1200  
 SEE FIGURE 7-40

ITEM NUMBER	PART NUMBER	QTY.	DESCRIPTION
1	1207276-144	1	Chassis Frame & Skin Assembly
2	01500-130	4	Hex. Hd. Capscrew, $\frac{1}{2}$ -Zone X 1 1/4 Lg.
3		1	.040 Sheet, $3\frac{1}{2}$ X $3\frac{1}{2}$ , Alum.
4	01525-40	4	Elastic Stop Nut, $\frac{1}{2}$ -20-Zone
5	01500-37	2	Hex. Hd. Capscrew, 5/16-24 NF x 3/4 Lg.
6	01500-45	4	Hex. Hd. Capscrew, 5/16-24 NF X 2-3/4 Lg.
7	0101537-5	9	Pop Rivet
8	01520-37	14	Hex. Nut, 5/16-24 NF
9	01501-6	36	Hex. Hd. Capscrew, 1/4-20 NC X 3/4 Lg.
10	01554-6	44	Split Lock Washer, 1/4 Med.
11	1207277	1	Access Plate Radiator
12	1202074	1	Decal, Overspeed Warning
13	0101537-3	4	Pop Rivet
14	2108352	1	Identification Plate
15	1207438	1	Belly Pan, Front
16	01500-8	4	Hex. Hd. Capscrew, 1/4-28 NC X 1 Lg.
17	01554-40	4	Split Lock Washer, $\frac{1}{2}$ Med.
18	1219212	1	Pintle Hook
19	1201009	1	Name Plate, "SPRYTE®"
20	1207119	1	Front Screen, Lower
21	1207170	1	Radiator Shield
22	01501-35	42	Hex. Hd. Capscrew, 5/16-18 NC X 5/8 Lg.
23	01700-16	3	Grommet
24	1201010	1	Name Plate, "THIOKOL"
25	01551-5	80	Flat Washer, 5/16 Large
26	1207462	1	Side Panel R.H.
27	1207429	1	Defroster Support Assembly
28	1207174	4	Bracket, Seat Mount
29	1207481	1	Access Cover, Rear
30	01520-7	24	Hex. Nut, 5/16-18 NC
31	01701-90	1	Hose
32	1207239-7	2	Front Board, Bed
33	01506-43	24	Carriage Bolt, 5/16-18 NC X $1\frac{1}{2}$ Lg.
34	2108219	A/R	Double Lip Trim
35	0509027	2	Seat; Padded
36	1207464	1	Side Panel, L.H.
37	2125034	1	Mounting Flange
38	1207477	1	Carpet, Motor Compartment
39	01501-3	4	Hex. Hd. Capscrew, 1/4-20 NF X $\frac{1}{2}$ Lg.
40	01500-68	6	Hex. Hd. Capscrew, 3/8-24 NF X 1 Lg.
41	1207455	2	Hold Down Clip
42	1207476	1	Hood Assembly
43	01579-03	8	Teks Screw, 1/4- $1\frac{1}{2}$ Lg.
44	01525-38	6	Elastic Stop Nut, 3/8-24 NF
45	1207137-3	1	Board, Cargo Bed, L.H.
46	1207137-4	1	Board, Cargo Bed, R.H.
47	1207033	1	Deck Retaining Angle
48	01700-19	4	Grommet

CHASSIS ASSEMBLY  
MODEL 1200  
SEE FIGURE 7-40

Page 2 of 2

ITEM NUMBER	PART NUMBER	QTY.	DESCRIPTION
49	1202082	2	Engine Mount, Front
50	1208195	1	Access Plate, Starter Motor
51	01700-11	2	Grommet
52	1208196	1	Access Plate, Hydraulic Pump
53	0207039	2	Handle, Hood Lifting
54	1208189	2	Hook Bracket
55	01520-36	4	Hex. Nut, 1/4-28 NF
56	2107337	1	Cover
57	0101584	12	Rivet, Flat Top
58	01700-28	2	Grommet
59	1214069	1	Bracket, Brake Lever Mount
60	0608078	2	Seat Belt Kit
61	0708015	2	Hood Catch
62	01501-63	6	Hex. Hd. Capscrew, 3/8-16 NC X 1/2 Lg.
63	01552-8	6	Split Lock Washer, 3/8 Light
64	1407186	4	Spacer
65	01550-9	6	Flat Washer, 3/8 Small

5/11/77

CAB ASSEMBLY  
 MODEL 1200  
 SEE FIGURE 8-33

ITEM NUMBER	PART NUMBER	QTY.	DESCRIPTION
1	1208246-104	1	Cab Frame & Skin Assembly
2	2108205	2	Locking Strip, 110 Lg.
3		2	Weather Strip, 106 Lg. (Somaca #3195-R)
4	1208031	2	Glass, Windshield
5		A/R	Weather Strip, 3/16 Thk. x 3/4 Wide
6	0108064	2	Blade, Windshield Wiper
7	1208019	2	Arm, Windshield Wiper
8	01501-103	2	Hex. Hd. Capscrew, 7/16 - 14 NC x 1-3/4 Lg.
9	01525-5	4	Elastic Stop Nut, 7/16 - 14 NC
10	01525-3	5	Elastic Stop Nut, 5/16 - 18 NC
11	01501-43	1	Hex. Hd. Cap Screw, 5/16 - 18 NC
12		2	Door Spacer, 1 X 29 $\frac{1}{2}$ Lg. Alum.
13		1	Door Spacer, 3/4 X 44 Lg. Alum.
14		4	Weather Strip, 66 $\frac{1}{2}$ Lg. (Somaca #6421)
15	2108205	4	Locking Strip, 66 $\frac{1}{2}$ Lg.
16	0608067	4	Glass, Rear
17	01501-100	2	Hex. Hd. Capscrew, 7/16-14 NC X 1-1/4 Lg.
18	0108088	1	Handle, Inside, L.H.
19	0108089	2	Handle, Inside, R.H.
20	1208079-102	1	Door, Left, Front
21	1208078-102	1	Door, Right, Front
22	1208283	1	Door, Right, Rear
23	01525-35	12	Elastic Stop Nut, #10-32 NF
24	0108087	3	Spring Housing, Door Handle
25	0101229	4	Rd. Hd. Machine Screw, #10-32 NF X 1 $\frac{1}{2}$ Lg.
26		2	Weather Strip 86-7/8 Lg. (Somaca #6421)
27		2	Channel Glass, Run 83-1/4 Lg. (Somaca #B-127)
28	1208026	1	Glass, Sliding, L.H.
29	1208027	1	Glass, Sliding R.H.
30		2	Window Spacer 42 $\frac{1}{2}$ Lg.
31	0108181	3	Sleeve, Door Handle
32		2	Channel Rigid, 15 Lg. (Somaca #3-K1)
33	1208016	2	Glass, Stationary
34	1215021	1	Twin Headlight, L.H.
35	1215023	1	Twin Headlight, R.H.
36	1215022	2	Bezel, Headlight
37	1208099-102	1	Safety Handle
38	2108449	1	Door Stop, L.H.
39	2108449-2	2	Door Stop, R.H.
40	01533-101	2	Machine Screw, 1/4-28 NF X 1-1/4 Lg.
41	01520-36	2	Hex. Nut, 1/4-28 NF
42	01536-117	2	Flat, Hd. Machine Screw, 1/4-20 NC X $\frac{1}{2}$ Lg.
43	01512-78	16	Pan Hd. Machine Screw, #10-32 NF X 3/4 Lg.

CAB ASSEMBLY  
 MODEL 1200  
 SEE FIGURE 8-33

ITEM NUMBER	PART NUMBER	QTY.	DESCRIPTION
44	01525-36	3	Elastic Stop Nut, 1/4-28 NF
45	0108140	3	Spring, Door Handle
46	01504-12	3	Hex. Hd. Capscrew, 1/4-28 NF X 1½ Lg.
47	01501-8	3	Hex. Hd. Capscrew, 1/4-20 NC X 1 Lg.
48	01554-6	9	Split Lock Washer, 1/4 Med.
49	1411010-17	3	Spacer, Cylindrical
50	1411010-16	3	Spacer, Cylindrical
51	0108090	3	Handle, Outside
52	01500-6	6	Hex. Hd. Capscrew, 1/4-28 NF X 3/4 Lg.
53	0607015	3	Washer, Cab Mount
54	01551-5	1	Flat Washer, 5/16 Large
55	01501-37	4	Hex. Hd. Capscrew, 5/16 - 18 NC X 7/8 Lg.
56	01520-6	8	Hex. Nut, 1/4-20 NC
57	01551-4	16	Flat Washer, 1/4 Large
58	1219597	2	Guard, Headlight
59	01554-6	8	Split Lock Washer, 1/4 Med.
60	01501-25	8	Hex. Hd. Capscrew, 1/4-20 NC X 4-3/4 Lg.
61	1208263	1	Mirror, Rear View
62	2108369	2	Mirror Assembly
63	01500-36	4	Hex. Hd. Capscrew, 5/16-24 NF X 3/4 Lg.
64	01520-37	4	Hex. Nut, 5/16-24 NF
65	01553-7	4	Split Lock Washer, 5/16
66	2108370-1	2	Mirror Bracket

5/11/77

DRIVELINE ASSEMBLY  
 MODEL 1200  
 SEE FIGURE 9-41

ITEM NUMBER	PART NUMBER	QTY	DESCRIPTION
1	1209130	2	Axle
2	01552-38	8	Hex Nut, 3/8-24 NF
3	01554-8	8	Lock Washer, 3/8 Med.
4	0101281	2	Grease Fitting
5	01500-70	8	Capscrew, 3/8-24 NF X 1-1/4 Lg.
6	01525-41	8	Elastic Stop Nut, 9/16-18 NF
7	01505-198	12	Hex Hd. Capscrew, 5/8-11 NC X 3 Lg.
8	01554-12	12	Lock Washer, 5/8 Med.
9	1209067	2	Retainer Plate
10	1209069	2	Gasket
11	0205009	16	Lug Nut, 30 Degree, 1/2-20 NF
12	1209076-7	2	Drive Sprocket
13	1205050	16	Stud
14	0101493	2	Seal, Outboard
15	0101739	2	Bearing
16	1219558	1	Drive Unit Assy
17	0101492	2	Seal, Inboard
18	0609042-3	2	Journal & Bearing Kit
19	1209091	2	"U" Bolt
20	1209090-3	1	Washer Cork
21	1209089-3	1	Washer Steel
22	0609044	1	Dust Cap
23	01501-42	4	Capscrew, 5/16-18 NC X 1 1/2 Lg.
24	0122022	2	Retainer Ring
25	2109084	2	Retainer
26	2109085-3	1	Drive Shaft
27	1209088-3	1	Sleeve Yoke Assembly
28	1209132-3	2	Axle Housing
29	0607012	4	Sleeve
30	1209234	1	Breather
31		1	Flange Yoke (Ford #DITZ-7089-C)
32	2109082-3	A/R	Shim, 11 Ga.
33		1	Hex. Nut (Ford #351165-58) 1/2-20 NF
34	2109082-1	A/R	Shim, 16 Ga.
35	01550-12	16	Washer, Flat, 9/16 Small
36	0607015	4	Washer
37	01504-163	8	Hex. Hd. Capscrew, 9/16-18 NF X 1-3/4 Lg.
38	01554-7	4	Split Lock Washer, 5/16 Med.
39	01520-7	4	Hex Nut, 5/16 - 18 NC
40	01551-7	4	Washer, Flat, 7/16 Lg.
41	1209134	4	Gasket
42	1209094	2	Bearing Retainer
43	01525-39	4	Elastic Stop Nut, 7/16-20 NF
44	1209255	2	Sector, Nut Holding
45	01500-111	4	Capscrew, 7/16-20 NF X 3-3/4 Lg.
46	0607006	8	Insulator
47	1209246	2	Drive Unit Support Bracket
48	1618-35	1	Pipe Plug, 3/4 NPT

DRIVE UNIT ASSEMBLY  
 MODEL 1200  
 SEE FIGURES 9-42

ITEM NUMBER	PART NUMBER	QTY.	DESCRIPTION
1	01541-107	1	Cotter Pin, 1/8 Dia. x 2 Lg.
2	01540-352	4	Clevis Pin, 1/2 x 1.531 Grip
3	1209093	2	Trunnion Block
4	01541-82	4	Cotter Pin, 3/32 dia. x 3/4 Lg.
5	01550-11	4	Flat Washer, 1/2 Small
6	1209129	1	Pinion Shaft, 7 Tooth (Oliver #176 953-A) Used, with 6.14 Gear Ratio
7	1209172	2	Bearing, Ball
8	1209171	2	Lock Washer, Bearing
9	1209170	2	Bearing Lock Nut
10	1209169	2	Shim Pack
11	1209168	16	Rivet
12	1209167	2	Steering Drum Gear
13	1209166	6	Pin
14	1209165	6	Compensating Pinion Nut
15	1209164	6	Woodruff Key
16	1209163	6	Compensating Pinion
17	1209162	6	Flat Washer Spacer
18	1209161	3	Dowel
19	1209160	1	Washer
20	1209159	2	Spacer Washer
21	1209158	6	Compensating Internal Pinion
22	1209157	2	Washer, Steering Drum
23	1209156	2	Gear
24	1209128	1	Pinion Spacer, (Used with 6.14 Gear Ratio)
25	1209155	2	Steering Drum
26	1209154	1	Cover, R.H.
27	1209153	1	Compensating Case
28	1209152	6	Dowel
29	1209119	1	Gear, Differential Bevel, 43 Tooth (Oliver #176952-A) Used with 6.14 Gear Ratio
30	1209150	1	Cover, L.H.
31	1209149	6	Lock Plate
32	1209148	12	Lock Plate Bolt
33	1209147	6	Pin
34	1209146	6	Compensating Case Bolt & Nut
35	1209145	2	Bushing
36	1209144	2	Spacer Washer
37	1209096	1	Nut, Pinion Shaft
38	1209097	1	Spacer
39	1209098	1	Spacer
40	1209099	1	Oil Seal
41	1209124	1	Bearing Housing (Used on Drive Units with 6.14 Gear Ratio)

DRIVE UNIT ASSEMBLY  
 MODEL 1200  
 SEE FIGURES 9-42

Page 2 of 2

ITEM NUMBER	PART NUMBER	QTY.	DESCRIPTION
42	01505-73	8	Hex. Hd. Capscrew, 3/8-16 NC x 1-3/4 Lg.
43	1209204	2	Anchor
44	0609106	2	Seal, Steering Band Rod
45	0109017	4	Lock Plate
46	1209103	1	Shim Pack
47	1209104	1	Bearing, Ball
48	1209143	1	Bearing, Roller
49	1209125	2	Gasket, Anchor
50	1209105	2	Link, Anchor
51	0609105	2	Spring
52	1209113	4	Lever, Steering
53	01501-5	4	Hex. Hd. Capscrew, 1/4-20 NC x 5/8 Lg.
54	01554-6	4	Split Lock Washer, 1/4 Med.
55	1209114	2	Slave Cylinder
56	1209142	12	Bushing
57	1209115-2	2	Steering Band Assy.
58	1209123	1	Snap Ring (Used on Drive Units with 6.14 Gear Ratio)
59	1209120-3	1	End Yoke
60	01525-40	2	Elastic Stop Nut, 1/2-20 NF
61	1209121	2	Spacer
62	01500-72	8	Hex. Hd. Capscrew, 3/8-24 NF x 1 1/2 Lg.
63	1209182-7	1	Drive Unit Case
64	01525-38	8	Elastic Stop Nut, 3/8-24 NF
65	1209107	2	Rod, Brake Band
66	01541-104	2	Cotter Pin, 1/8 dia. x 1-1/4 Lg.
67	01540-538	2	Clevis Pin, 3/4 x 3.156 Grip
68	01540-213	4	Clevis Pin, 3/8 x 1.594 Grip
69	01558-2	4	Flat Washer
70	01541-83	4	Cotter Pin, 3/32 dia. x 1 Lg.
71	01501-36	18	Hex. Hd. Capscrew, 5/16-18 NC x 3/4 Lg.
72	01554-7	18	Split Lock Washer, 5/16 Med.
73	1209190	1	Drive Unit Cover
74	1209192	1	Gasket, Cover
75	1209141	2	Compensating Case Bushing
76	1209077	2	Spacer, 1/4 Thick
77	1209133	2	Push Rod
78	1209197-3	4	Dowel Pin
79	2128383	1	Plug, Diff. Temp. Sender
80	2115044	1	Sending Unit, Temp.
81	1618-36	1	Plug, Pipe, Socket Hd., 1-11 NPT

1219558  
 5/11/77

DISC BRAKE ASSEMBLY  
 MODEL 1200-  
 SEE FIGURE 14-16

Page 1 of 1

ITEM NUMBER	PART NUMBER	QTY.	DESCRIPTION
1	01520-37	3	Hex. Nut, 5/16-24 NF
2	01554-7	3	Split Lock Washer, 5/16 Med.
3	2114139	1	Hand Brake
4	01500-45	3	Hex. Hd. Capscrew, 5/16-24 NF x 2-1/4 Lg.
5	1214054-3	1	Brake Cable
6	1214047-7	1	Cross Member
7	1214067	2	Spring
8	01525-38	5	Elastic Stop Nut, 3/8-24 NF
9	1214047-5	1	Cross Member
10	01525-40	10	Elastic Stop Nut, 1/2-20 NF
11	01500-132	4	Hex. Hd. Capscrew, 1/2-20 NF x 1 1/2 Lg.
12	01551-6	2	Flat Washer, 3/8 Lg.
13	1214046	4	Arm
14	2114080-3	1	Mount Bracket Assembly
15	1411010-06	1	Spacer, Brake Cable
16	0101281	1	Grease Fitting
17	01521-38	4	Jam Nut, 3/8-24 NF
18	01500-70	8	Hex. Hd. Capscrew, 3/8-24 NF x 1-1/4 Lg.
19	1214071	4	Brake Pad
20	01525-39	4	Elastic Stop Nut, 7/16-20 NF
21	1214048	8	Brake Pad Retainer
22	01500-107	4	Capscrew, 7/16-20 NF x 2-3/4 Lg.
23	01551-8	2	Flat Washer, 1/2 Lg.
24	01504-132	4	Hex. Hd. Capscrew, 1/2-20 NF x 1 1/2 Lg.
25	2114082	1	Disc Brake
26	0101582	1	Grease Fitting

1214063  
 5/11/77



ELECTRICAL ASSEMBLY  
 MODEL 1200  
 SEE FIGURE 15-42

ITEM NUMBER	PART NUMBER	QTY.	DESCRIPTION
1	1215112	1	Instrument Panel Assembly
2	1215108	1	Engine Harness Assembly
3	0115031	1	Switch, Solenoid
4	1215047-3	2	Motor, Windshield Wiper
5	1411021	1	Battery Cable
6	1411021-102	1	Battery Cable
7	0119057	1	Horn
8	2115067	2	Battery, 12 Volt
9	0119037	1	Spotlight
10	0101298	2	Rd. Hd. Machine Screw, #10-32 NF x 1 1/4 Lg.
11	0101407	8	Rd. Hd. Machine Screw, #10-32 NF x 1 1/2 Lg.
12	01700-24	1	Grommet
13	2115053	1	Cable, Starter
14	0115035	1	Cable, Engine Ground
15	1215023	1	Twin Headlight Assembly, R.H.
16	1215021	1	Twin Headlight Assembly, L.H.
17	0101337	10	Sems Nut, #10-32 NF
18	01501-3	4	Hex. Hd. Cap Screw 1/4-20 NC x 1/2 Lg.
19	01520-7	2	Hex. Nut, 5/16-18 NC
20	01552-7	2	Split Lock Washer, 5/16 Light
21	01551-4	4	Flat Washer, 1/4 Lg.
22	1215109	1	Cab Wiring Harness
23	2115080	2	Interior Light
24	01513-74	4	Machine Screw #10-24 x 3/8
25	01552-5	4	3/16 I.D. Split Lock Washer
26	01658-4	2	Nylon Connector, 2 Circuit (Receptacle)
27	01659-2	7	Terminal, Female
28	01658-6	1	Nylon Connector, 3 Circuit (Receptacle)
29	01525-1	2	Elastic Stop Nut #10-24 NC
30	1215110	1	Wiring Harness to Engine
31	1215111	1	Wiring Harness to Cab
32	1215127	2	Tail Light
33	0119122	2	Driving Light
34	5004020	2	Clearance Light, (Amber)
35	1215024	2	Clearance Light, (Red)
36	2115100	3	Fan

1215102  
 5/11/77

INSTRUMENT PANEL ASSEMBLY  
MODEL 1200 MIL.  
SEE FIGURE 15-43

Page 1 of 1

ITEM NUMBER	PART NUMBER	QTY.	DESCRIPTION
1	2115038	1	Tachometer
2	2115042	1	Temp. Gauge - Differential Temp.
3	2115140-3	1	Temp. Gauge
4	2115137	1	Fuel Gauge
5	2115143-3	1	Oil Pressure Gauge
6	0119052	1	Hour Meter
7	1415058	1	Ignition Switch
8	3415032	2	Wiper Switch
9	01513-76	2	Pan Hd. Machine Screw, #10-24 NC x 1/2 Lg.
10	01554-5	2	Split Lock Washer, #10 Med.
11	0115024	1	Fuse, 30 Amp.
12	1315014	4	Fuse, 15 Amp.
13	3415008	1	Fuse Block, 8 Fuses
14	1315013	3	Fuse, 10 Amp.
15	1215119-102	1	Instrument Panel, Mod.
16		A/R	1/4 Wide, Black - Label Tape
17	1215128	1	Cover
18		A/R	1/8 Wide Red Vinyl Tape
19	2115139	1	Ammeter
20	1215088	1	Headlight Switch
21	2115063	1	Heater Switch
22	1215128	1	Instrument I.D. Diagram
23	3415031	4	Switch
24	0115020	1	Horn Button
25	0115023	1	Instrument Panel Light
26	0115018	1	Light Globe, 12 Volt
27	01534-56	2	Pan Hd. Machine Screw, #8-32 NC x 1/2 Lg.
28	0101801	2	Sems Nut, #8-32 NC
29	1210008	1	Speedometer
30	1415055	1	Starter Button

5/11/77

TRACK ASSEMBLY, 73 CLEAT, INTERMEDIATE PROFILE, 36" WIDE  
 MODEL 1200  
 SEE FIGURE 16-31

ITEM NUMBER	PART NUMBER	QTY.	DESCRIPTION
1	1216236-1	36	Cleat, L.H.
2	1216236-2	36	Cleat, R.H.
3	2116064	73	Tire Guide, 1½"
4	01569-3	8	Belt Lacing
5	1216235	216	Backing Plate
6	01504-70	24	Hex. Hd. Capscrew (Gr. 8) 3/8 x 24 NF x 1-1/4 Lg.
7	01504-56	4	Hex. Hd. Capscrew (Gr. 8) 5/16 x 24 NF x 5 Lg.
8	1216236-3	1	Lacing Cleat, R.H.
9	01504-100	432	Hex. Hd. Capscrew (Gr. 8) 7/16 x 20 NF x 1-1/4 Lg.
10	01524-23	24	Uni-torque Lock Nut, 3/8 x 24 NF
11	2116101	13	Belt Lacing Backing Plate
12	01525-37	4	Elastic Stop Nut, 5/16-24 NF
13	01524-24	578	Uni-torque Lock Nut, 6/16-20 NF
14	1216228-15	2	Belting, 5"
15	1216228-11	1	Belting, 5"
16	1216228-13	1	Belting, 5"
17	01504-96	146	Hex. Hd. Capscrew, 7/16-20 NF x 3/4 Lg.

1216237  
 5/11/77

STEERING SYSTEM  
 MODEL 1200  
 SEE FIGURE 22-23

Page 1 of 1

ITEM NUMBER	PART NUMBER	QTY.	DESCRIPTION
1	0101443	2	Connector Bolt
2	0101445	2	Gasket
3	0101444	2	Connector, Master Cylinder
4	0101446	2	Gasket
5	01525-39	4	Elastic Stop Nut, 3/8-24 NF Thin
6	1222027	2	Master Cylinder Assembly
7	0222008	2	Grip, Control Lever
8	1222007	2	Lever, Steering Control
9	01500-79	4	Hex. Hd. Capscrew, 3/8-28 NF x 1-3/4 Lg.
10	1222040	2	Eccentric Adjustment
11	1222041	2	Spacer
12	01541-83	2	Cotter Pin, 3/32 x 1 Lg.
13	01540-362	2	Clevis Pin, 1/2 x 2.156 Grip
14	01521-7	2	Jam Nut, 5/16-18 NC
15	01501-76	2	Hex. Hd. Capscrew, 3/8-16 NC x 2½ Lg.
16	01550-11	2	Flat Washer, ½ Small
17	01527-5	2	Elastic Stop Nut, 3/8-16 NC Thin
18	01705-8	4	Line Clamp
19	1222012	2	Hose Assembly, Steering
20	0101337	12	Sems Nut, #10-32 NF
21	0101402	12	Rd. Hd. Machine Screw, #10-32 NF x 3/4 Lg.
22	01705-3	6	Line Clamp
23	1222009-1	2	Hydraulic Line Assembly
24	0101502	2	Union, 37° SAE Flare
25	1222039	2	Hydraulic Line Assembly
26	01700-63	1	Grommet
27	0101462	1	Line Clamp
28	1222029	2	Boot
29	1222028	2	Push Rod
30	0101281	2	Grease Fitting 1/4-28 NF
31	01503-349	2	Socket Hd. Capscrew, 5/16-18 NC x 1-1/4 Lg.
32	01500-6	4	Hex. Hd. Capscrew, 1/4-28 NF x 3/4 Lg.
33	01554-6	4	Split Lock Washer, 1/4 Med.
34	1222042	1	Master Cylinder Mount
35	01551-4	1	Flat Washer, 1/4 Large

1222043  
 5/11/77

EXHAUST SYSTEM  
MODEL 1200 MIL.  
SEE FIGURE 26-30

Page 1 of 1

ITEM NUMBER	PART NUMBER	QTY.	DESCRIPTION
1	1226026	2	Studs
2	0101770	2	Hex. Nut 7/16-20 NF Brass
3	1226054	1	Header Pipe
4	0626014	1	Gasket
5	01551-7	2	Large Flat Washer
6	01702-11	1	Clamp
7	1226027-3	1	Spark Arrestor
8	1226064	1	Mid Section
9	1226055-102	1	"S" Section
10	1226063-103	1	Clamp, Modified
11	1226063-102	1	Clamp, Modified
12	1226063	1	Clamp, Modified
13	01524-21	6	Uni-Torque Lock Nut 1/4-28 NF
14	01500-6	6	Hex. Hd. Capscrew, 1/4-28 NF x 3/4 Lg.
15	1226073	3	Hanger Exhaust
16	1226074	1	Tail Pipe
17	01702-7	1	Clamp
18	01551-4	12	Flat Washer, Large, 1/4 Large
19	1411010-12	6	Space, Cylindrical

5/11/77

WINTERIZATION KIT  
 MODEL 1200 MIL.  
 SEE FIGURE 27-2

ITEM NUMBER	PART NUMBER	QTY.	DESCRIPTION
1	0627017	1	Junction Block Kit
2	0627016	1	Cord Set
3	0606009	1	Coolant Circulating Pump
4	0606008-1	1	Coolant Heater
5	0627007-02	3	Oil Pan Heater Unit
6	0627007-03	3	Thermostat
7	0627007-04	3	Power Cord Assy
8	0627010	1	Battery Warmer
9	01625-6	2	Pipe Fitting, Street Elbow, 3/8-18 NPT
10	01625-3	1	Pipe Fitting, Street Elbow, 1/4-18 NPT
11		A/R	Heater Hose, 5/8 I.D.
12		A/R	Pebble Matting
13	01705-3	A/R	DG Line Clamp
14	01533-75	A/R	Machine Screw, Pan Hd., #10-32 NF X 1/2 Lg.
15	01533-81	A/R	Machine Screw, Pan Hd., #10-32 NF X 1-1/4 Lg.
16	01533-84	3	Machine Screw, Pan Hd., #10-32 NF X 2 Lg.
17	0101337	A/R	Nut, Sems, #10-32 NF
18	01702-11	1	Full Circle Clamp, 2-5/8 I.D.
19	01520-7	2	Hex. Nut, 5/16-18 NC
20	01554-7	2	Lock Washer, 5/16 Med.
21	01501-8	4	Capscrew, Hex. Hd., 1/4-20 NC X 1 Lg.
22	01550-7	4	Flat Washer, 1/4 Small
23	01525-2	4	Elastic Stop Nut, 1/4-20 NC
24	01629-10	1	Bushing, 3/4-14 to 1/2-14
25	2127001-102	1	Battery Box
26	1415067	2	Battery (Not shown)
27	1411021	1	Battery Cable (Not shown)
28	1411021-102	1	Battery Cable (Now shown)
29		2	Barbed Connector, 3/8 NPT X 5/8 Hose
30	01675-4	8	Hose Clamp
31	01524-2	4	Uni-Torque Lock Nut, 5/16-18 NC
32	2107059	4	Fender Washer
33	01532-6	2	Wing Nut, 3/8-16 NC
34	1227002-102	1	Battery Hold Down
35	01550-9	4	Flat Washer, 3/8 Small
36	01520-38	2	Hex Nut, 3/8-24 NF
37	1227002-102	1	Lid, Battery Box
38	01700-15	2	Grommet
39	01552-8	2	Split Lock Washer, 3/8 Light

5/11/77

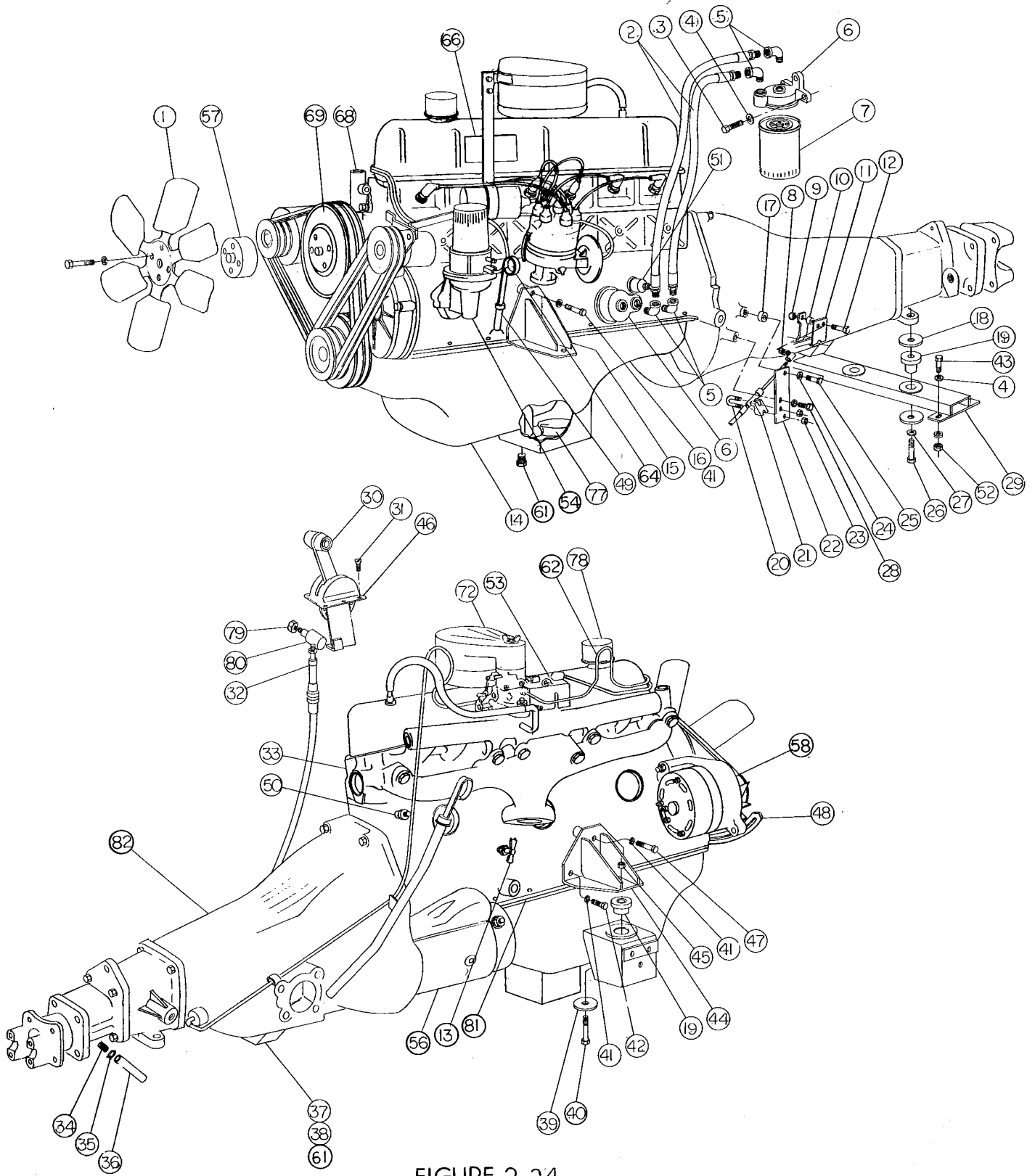


FIGURE 2-24  
300 CID ENGINE ASSEMBLY

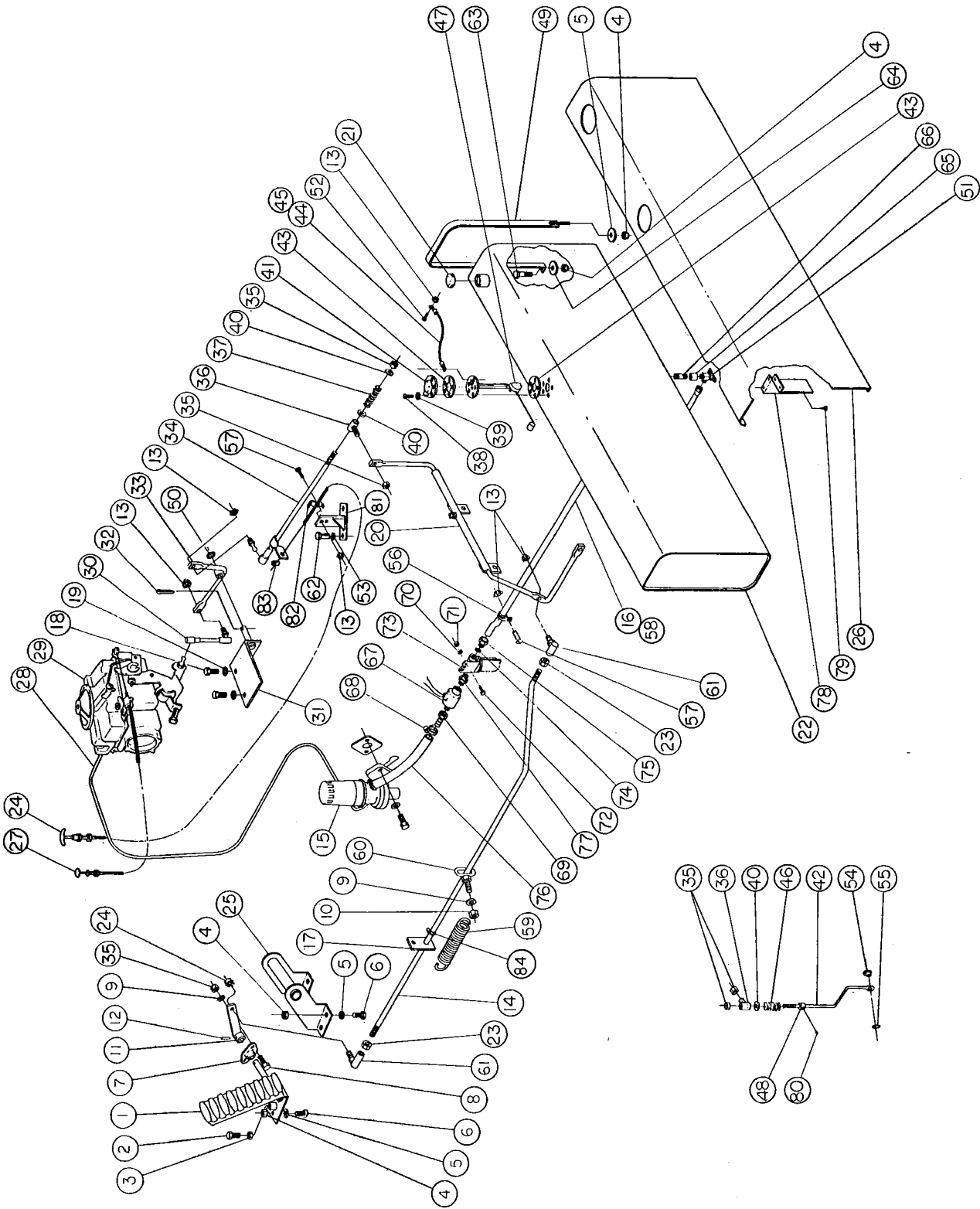


FIGURE 4-29  
DATE 4-4-77  
FUEL SYSTEM



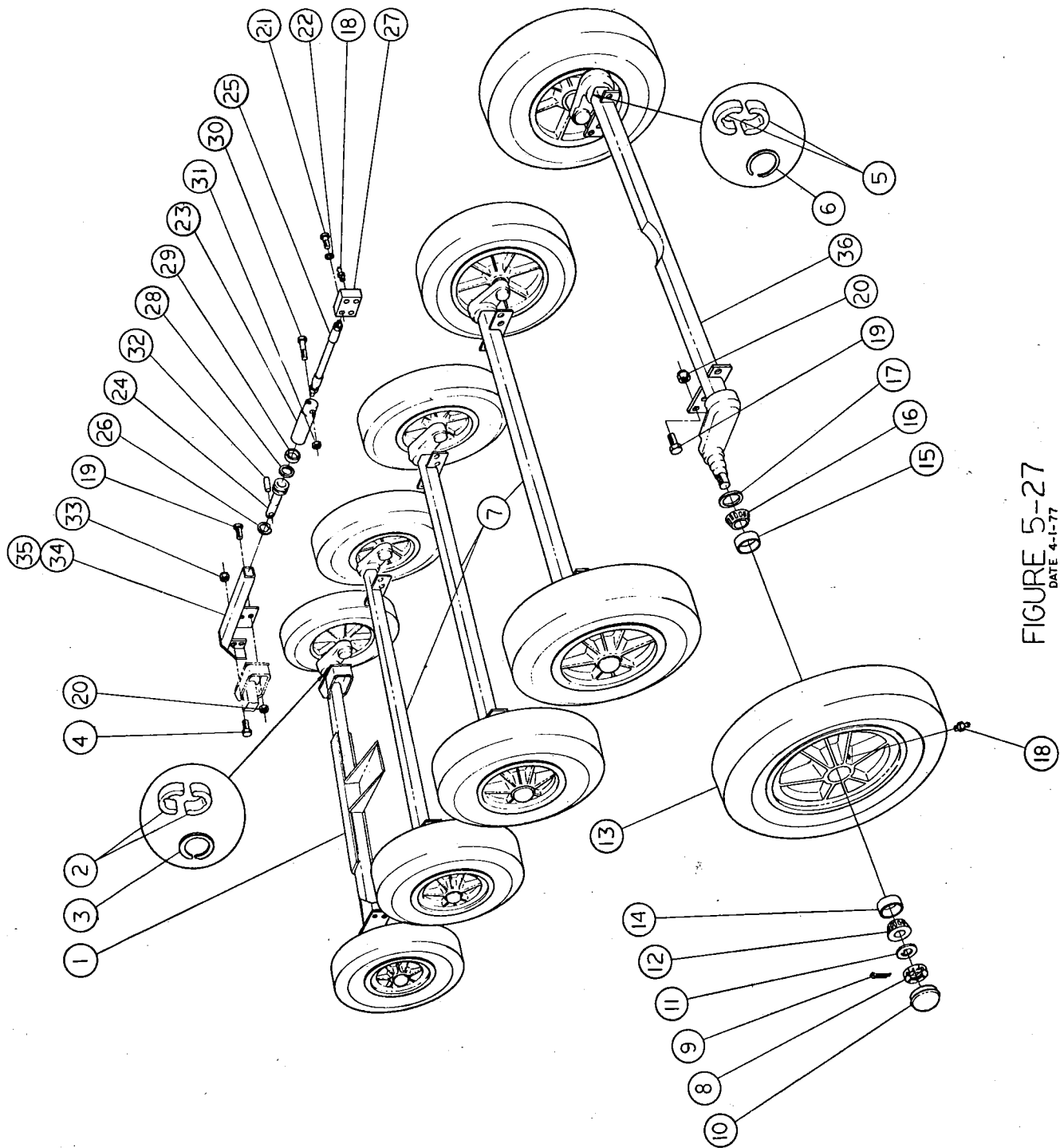


FIGURE 5-27

DATE 4-1-77  
SUSPENSION SYSTEM

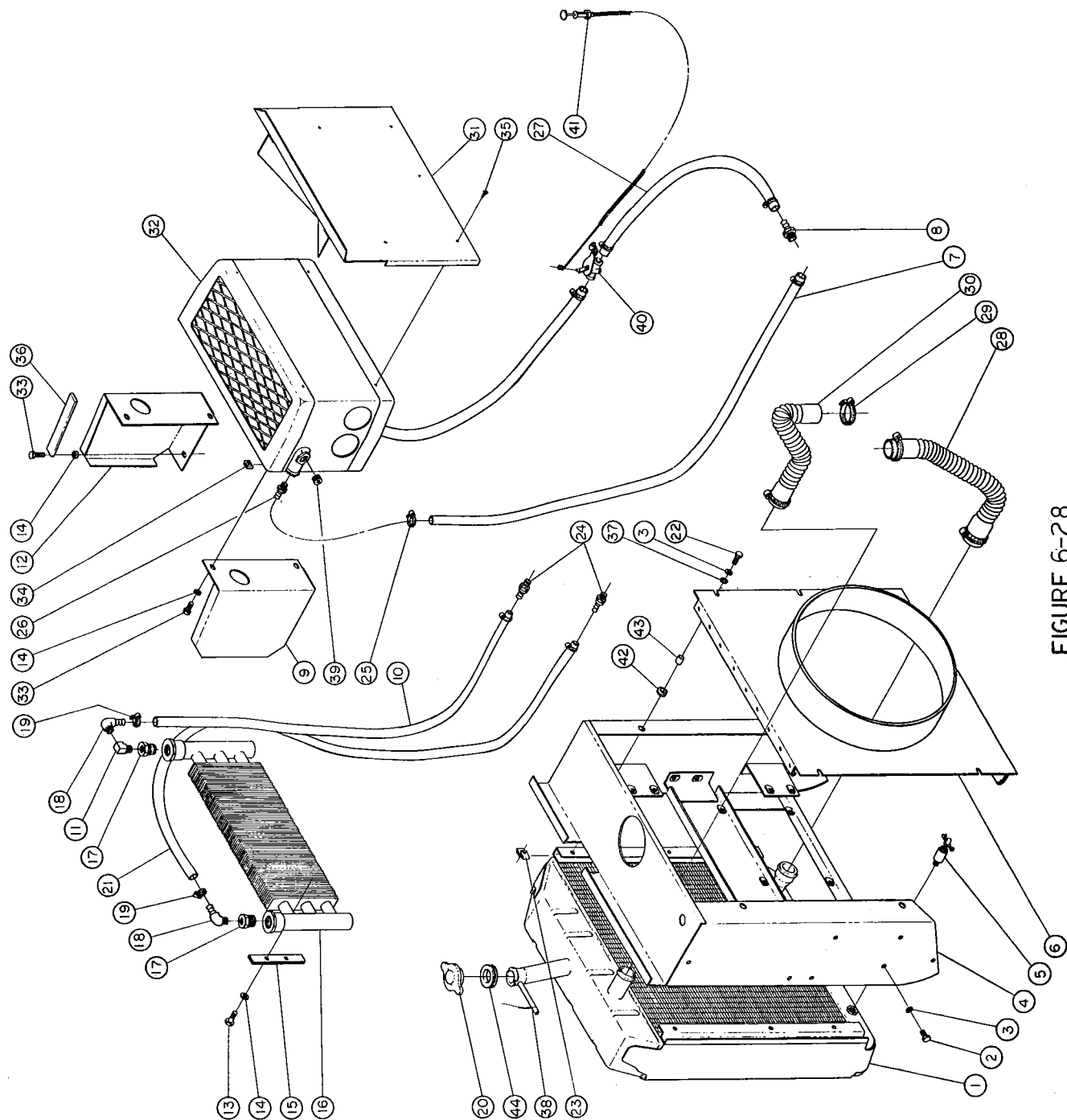


FIGURE 6-28  
DATE 4-6-77  
COOLING SYSTEM

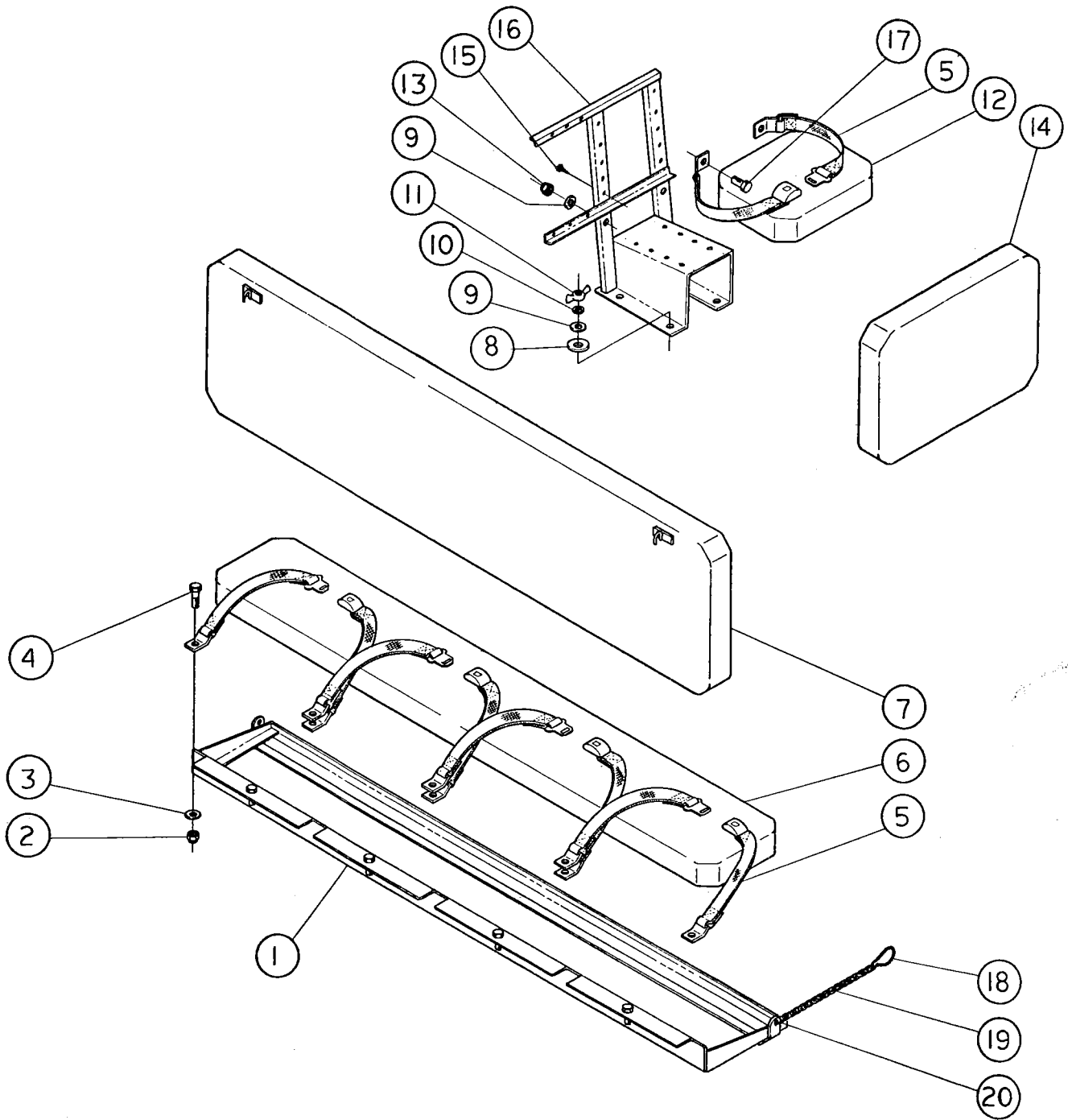


FIGURE 7-37  
DATE 4-13-77

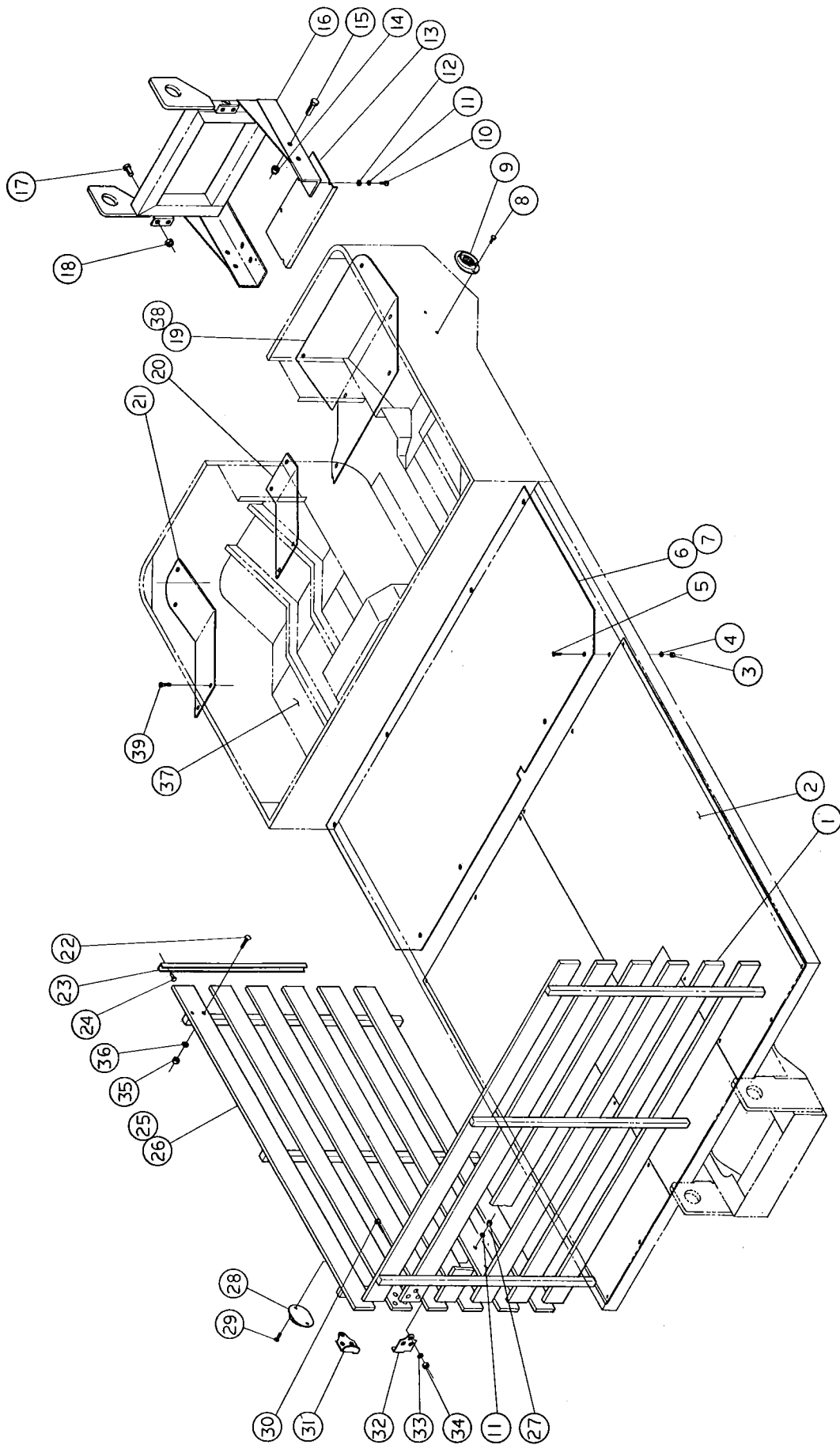


FIGURE 7-38  
DATE 4-19-77

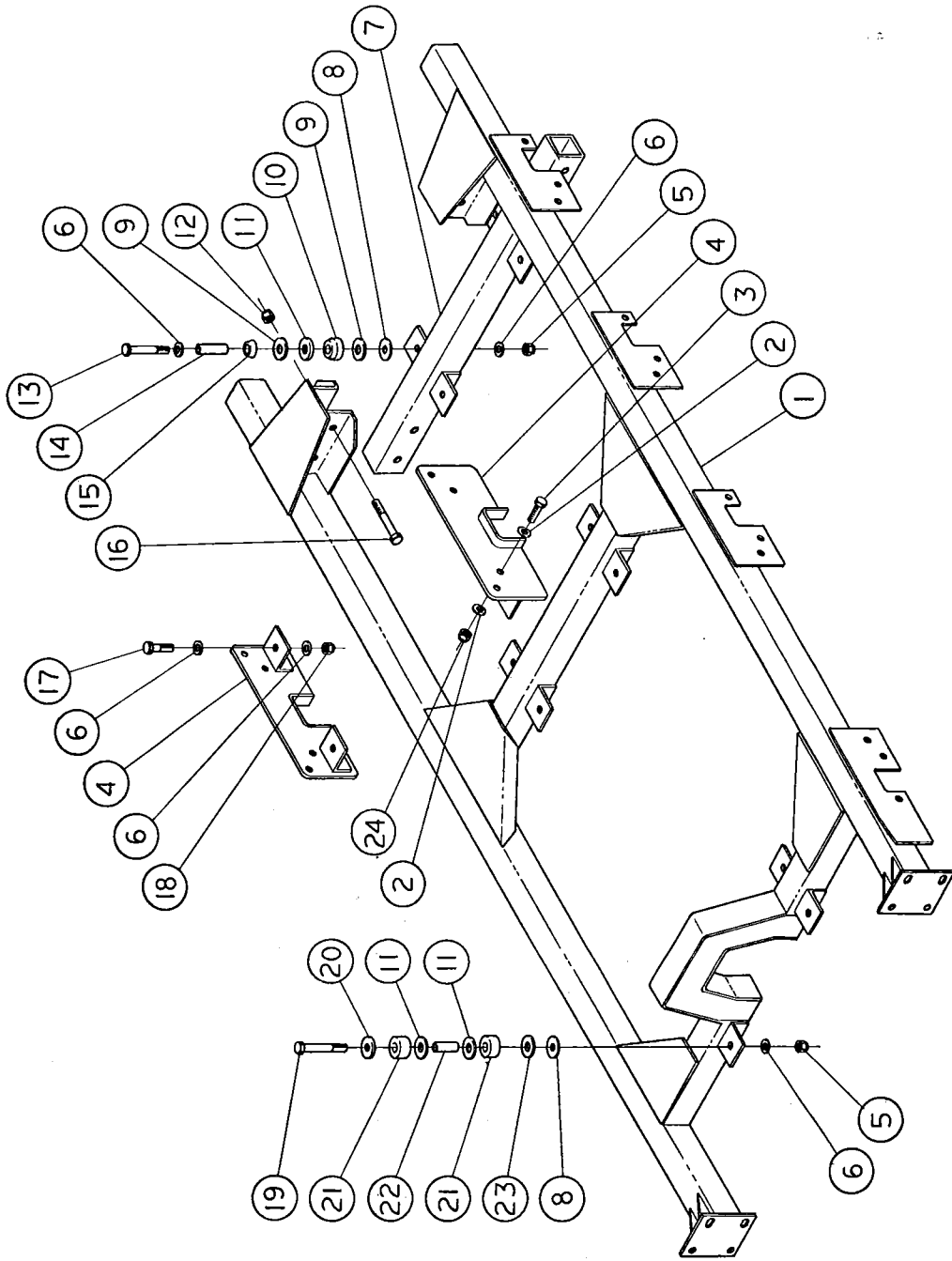


FIGURE 7-39  
 DATE 4-26-77  
 LOWER CHASSIS FRAME

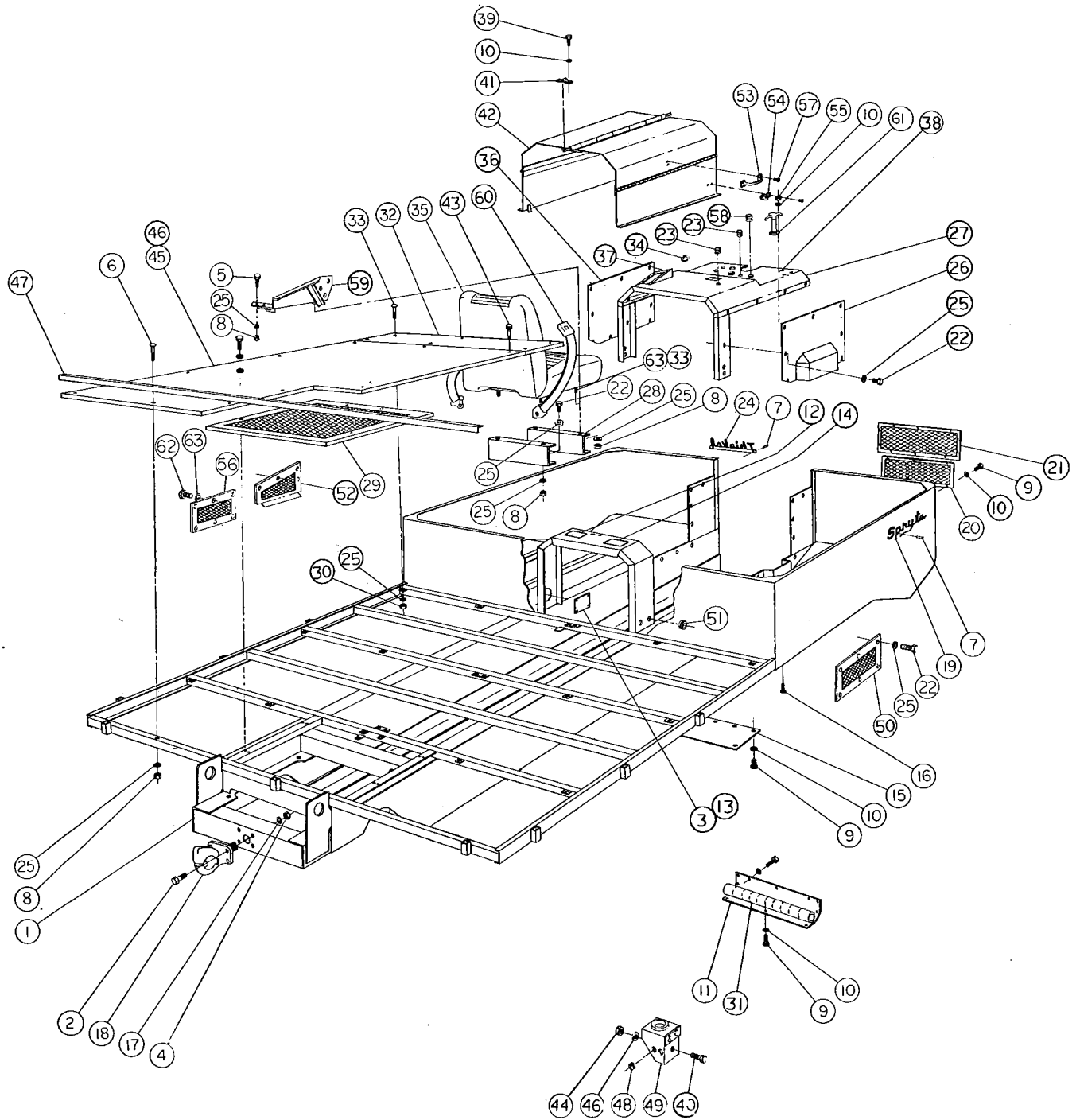


FIGURE 7-40

DATE: 4-27-77  
CHASSIS ASSEMBLY

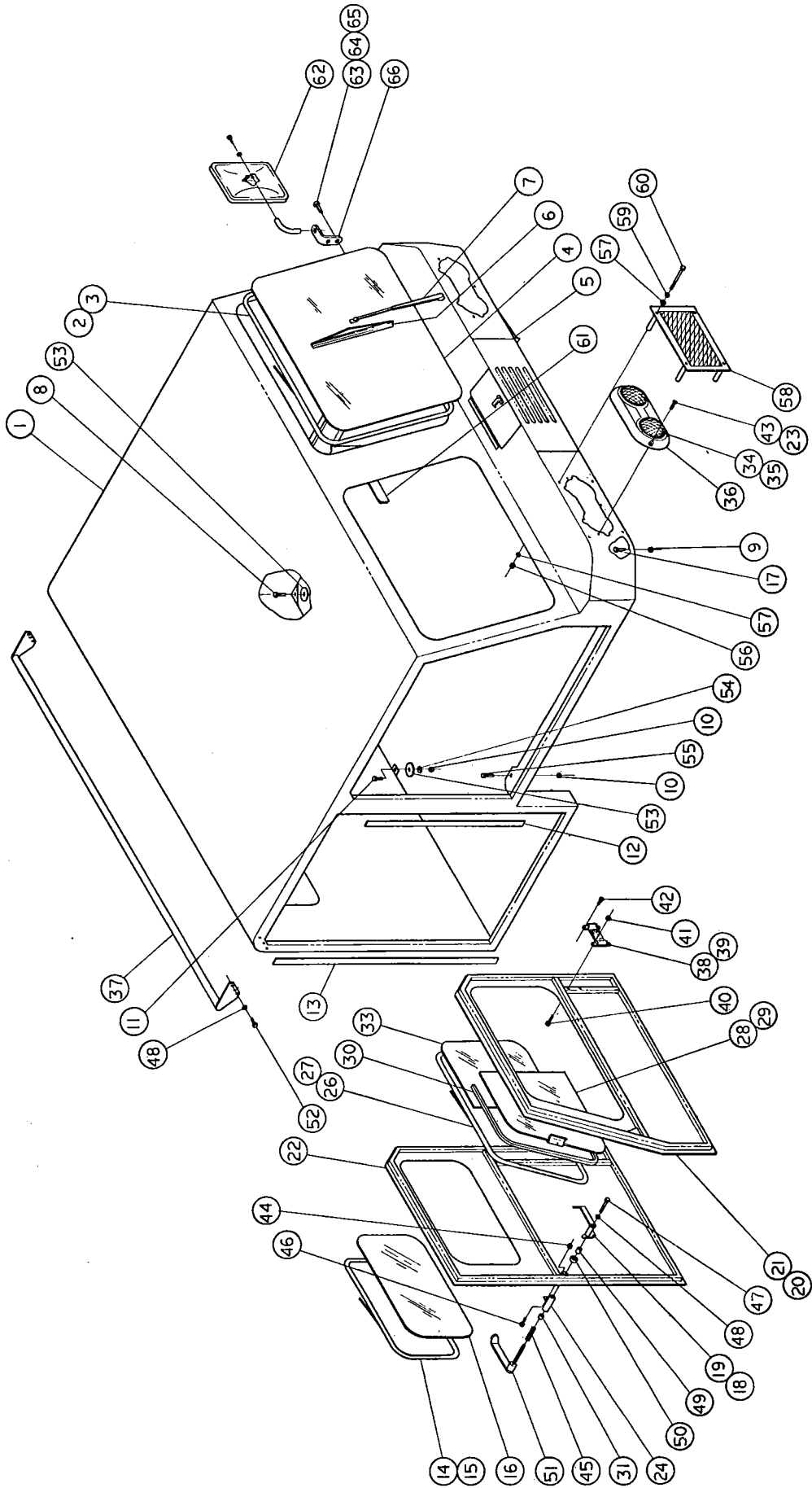


FIGURE 8-33  
DATE 5-1-77  
CAB ASSEMBLY

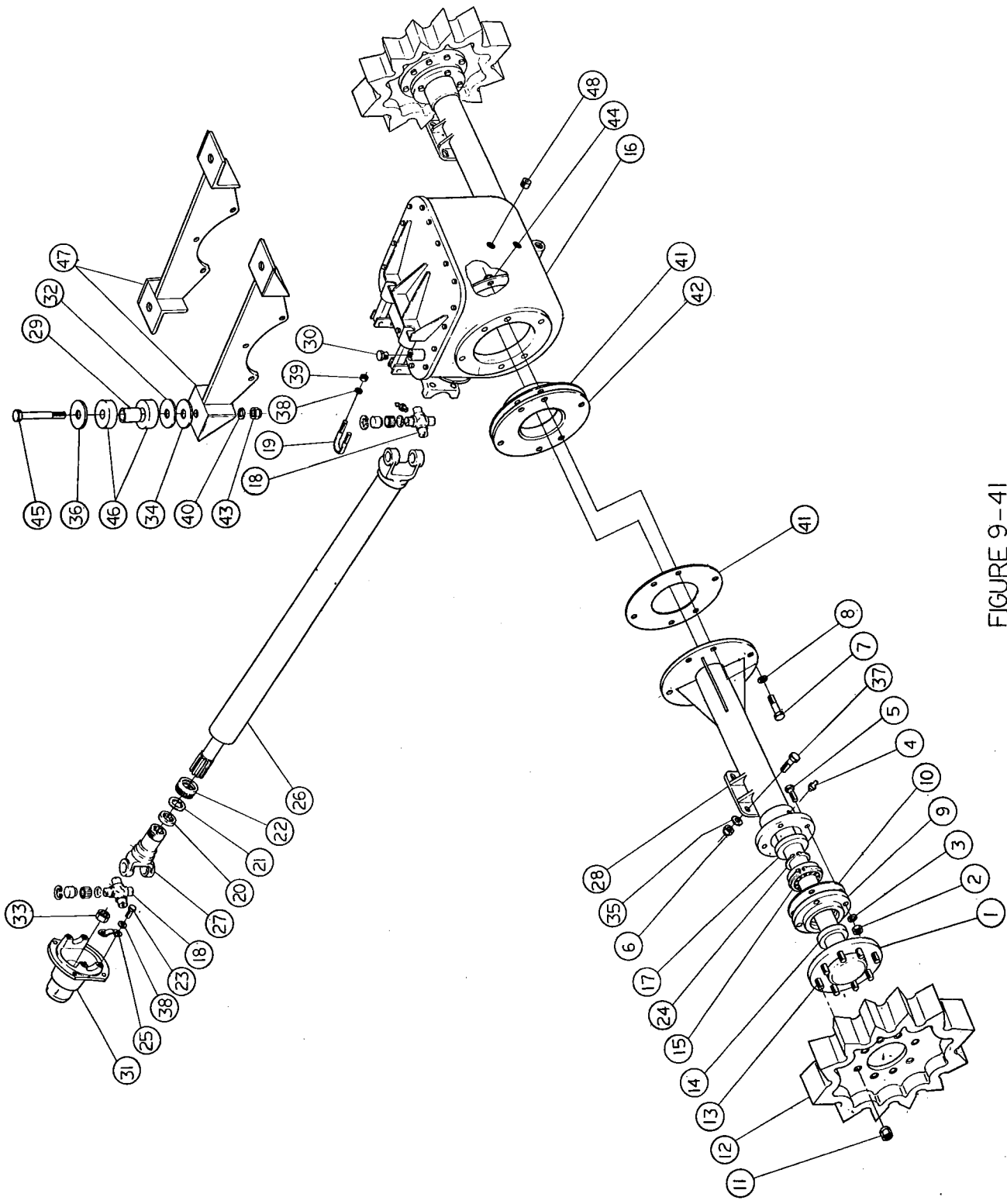
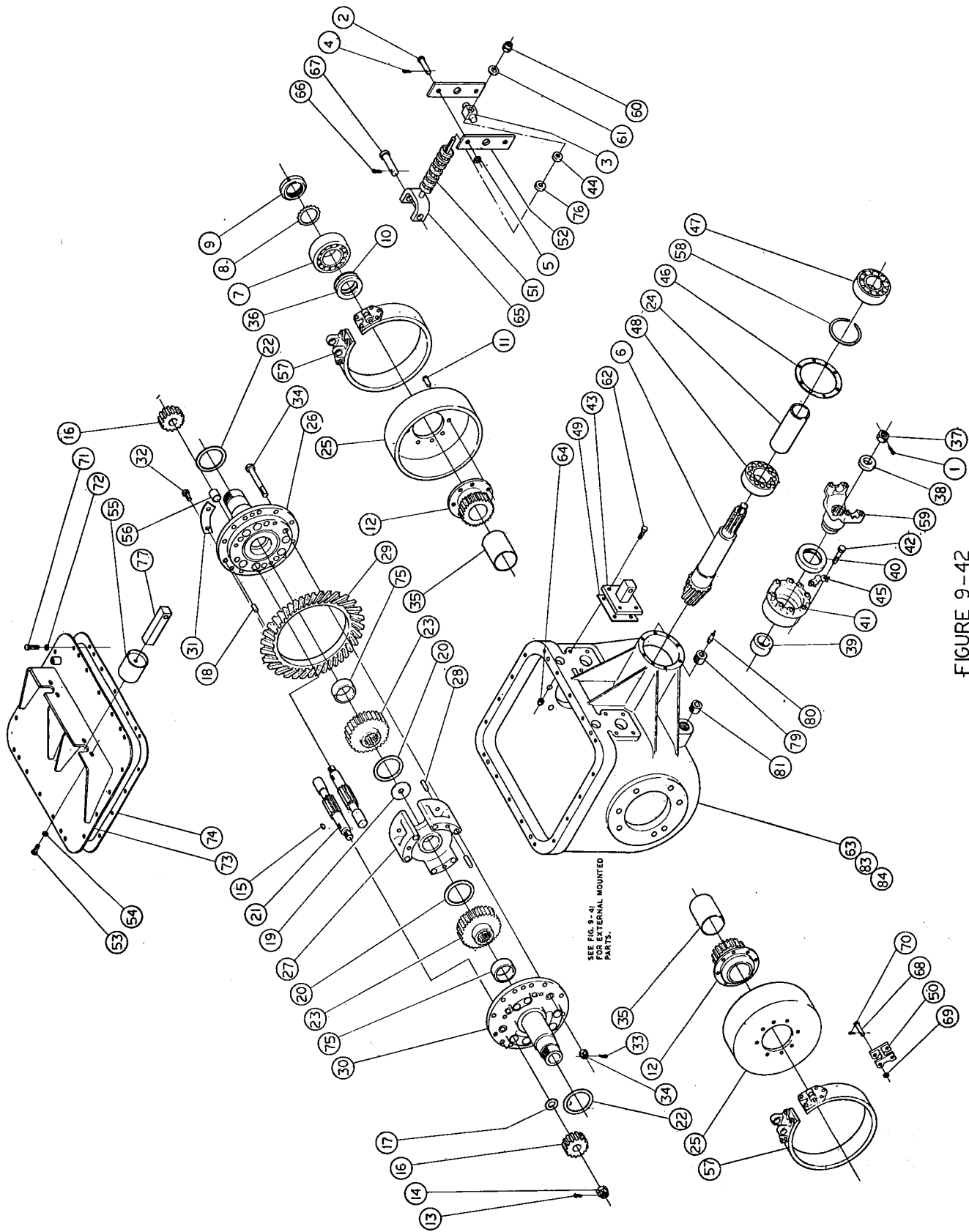


FIGURE 9-41  
 DATE 4-5-77  
 DRIVE LINE ASSEMBLY





SEE FIG. 9-41  
FOR EXTERNAL MOUNTED  
PARTS.

FIGURE 9-42  
DRIVE UNIT ASSEMBLY

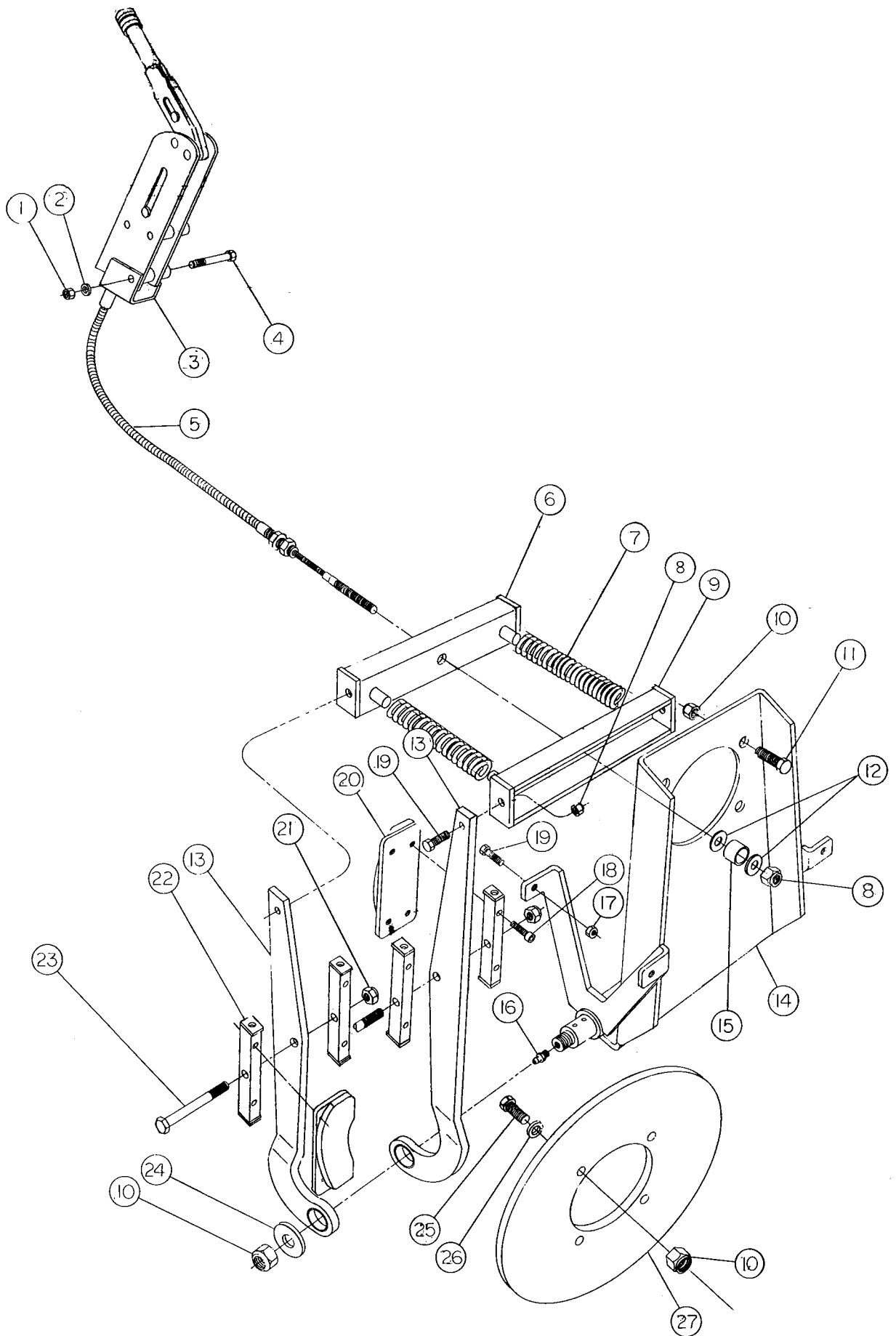


FIGURE 14-16  
(G-10-76)

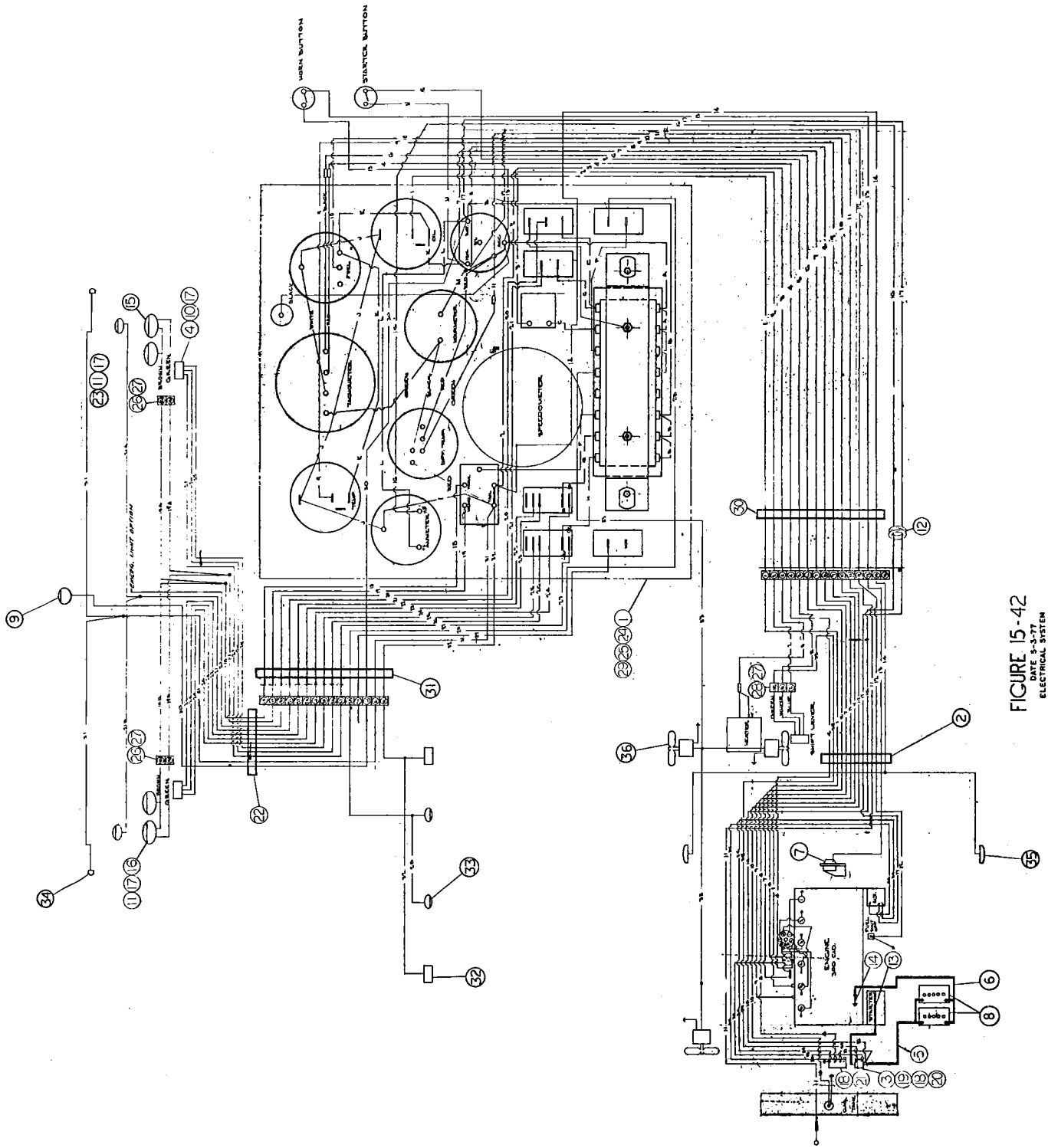
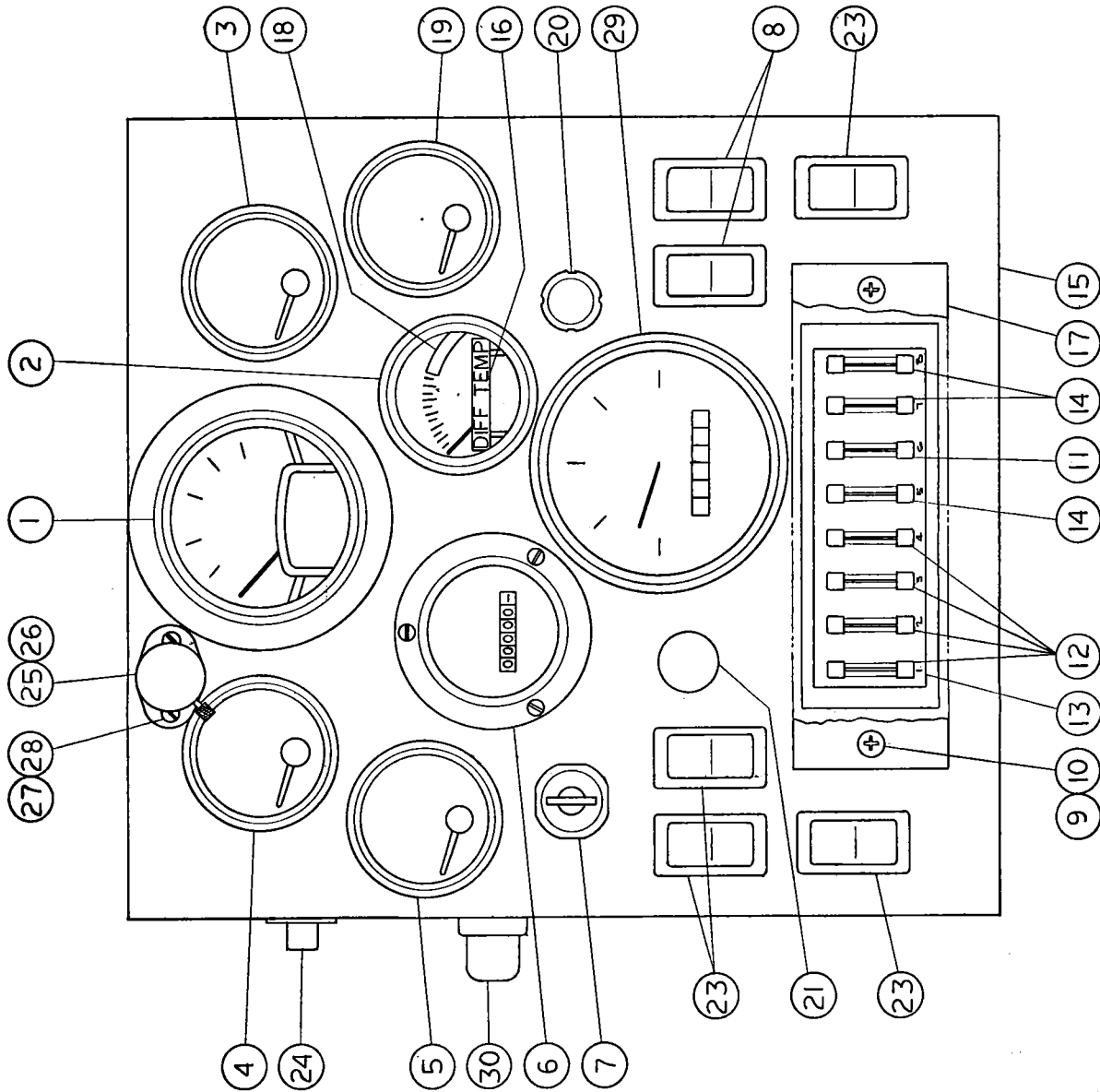


FIGURE 15-42  
DATE 5-3-77  
ELECTRICAL SYSTEM



FUSES		
NO.	DESCRIPTION	AMP.
1	EMERGENCY & INTERIOR LIGHTS	15
2	HEATER	15
3	BACK-UP LIGHT	15
4	FANS	15
5	SPARE	10
6	HEADLIGHT TRAIL & MESSAGE LIGHTS	30
7	WIPER L.H.	10
8	WIPER R.H.	10

FIGURE 15-43  
DATE 5-3-77  
INSTRUMENT PANEL

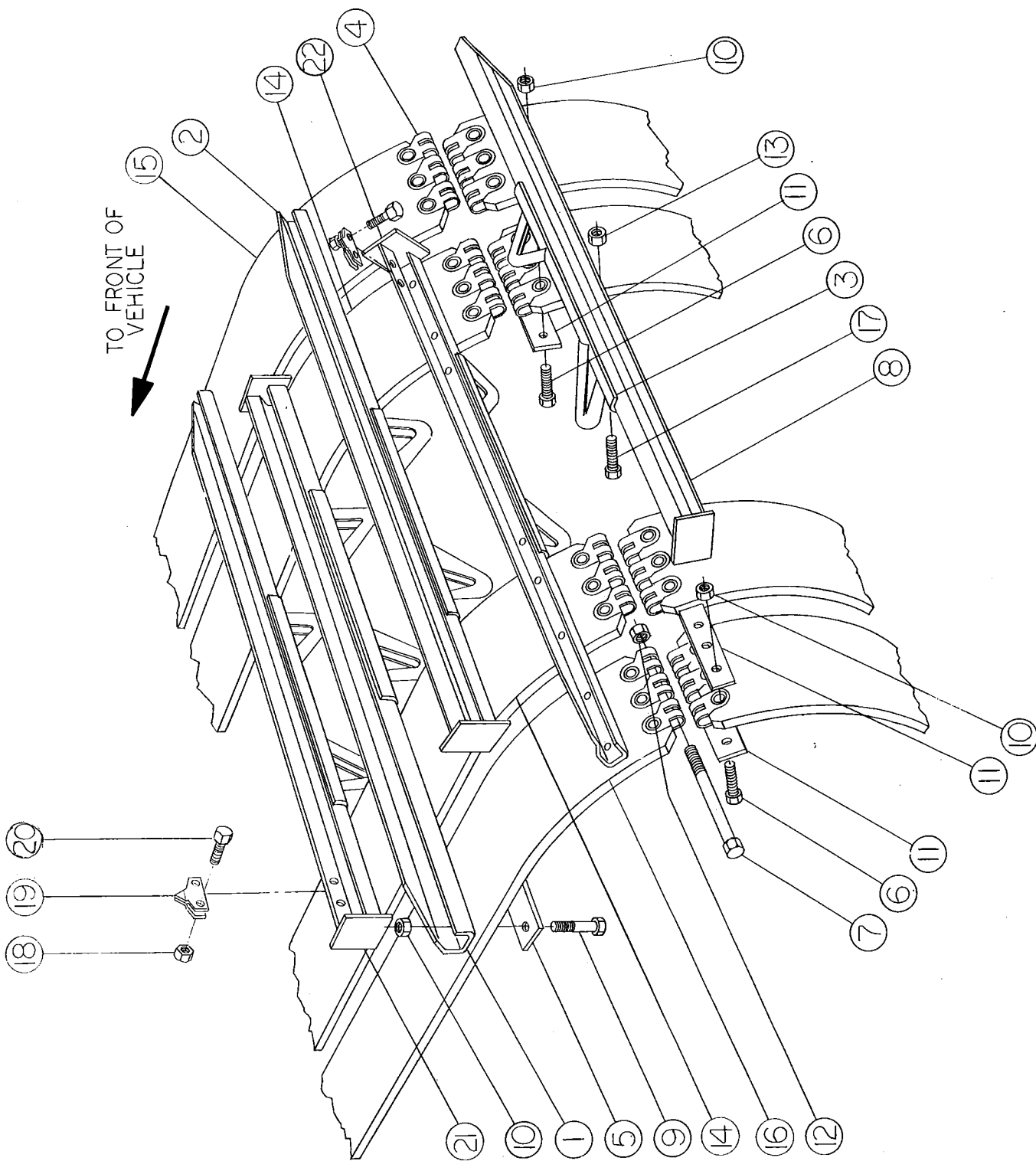


FIGURE 16-31

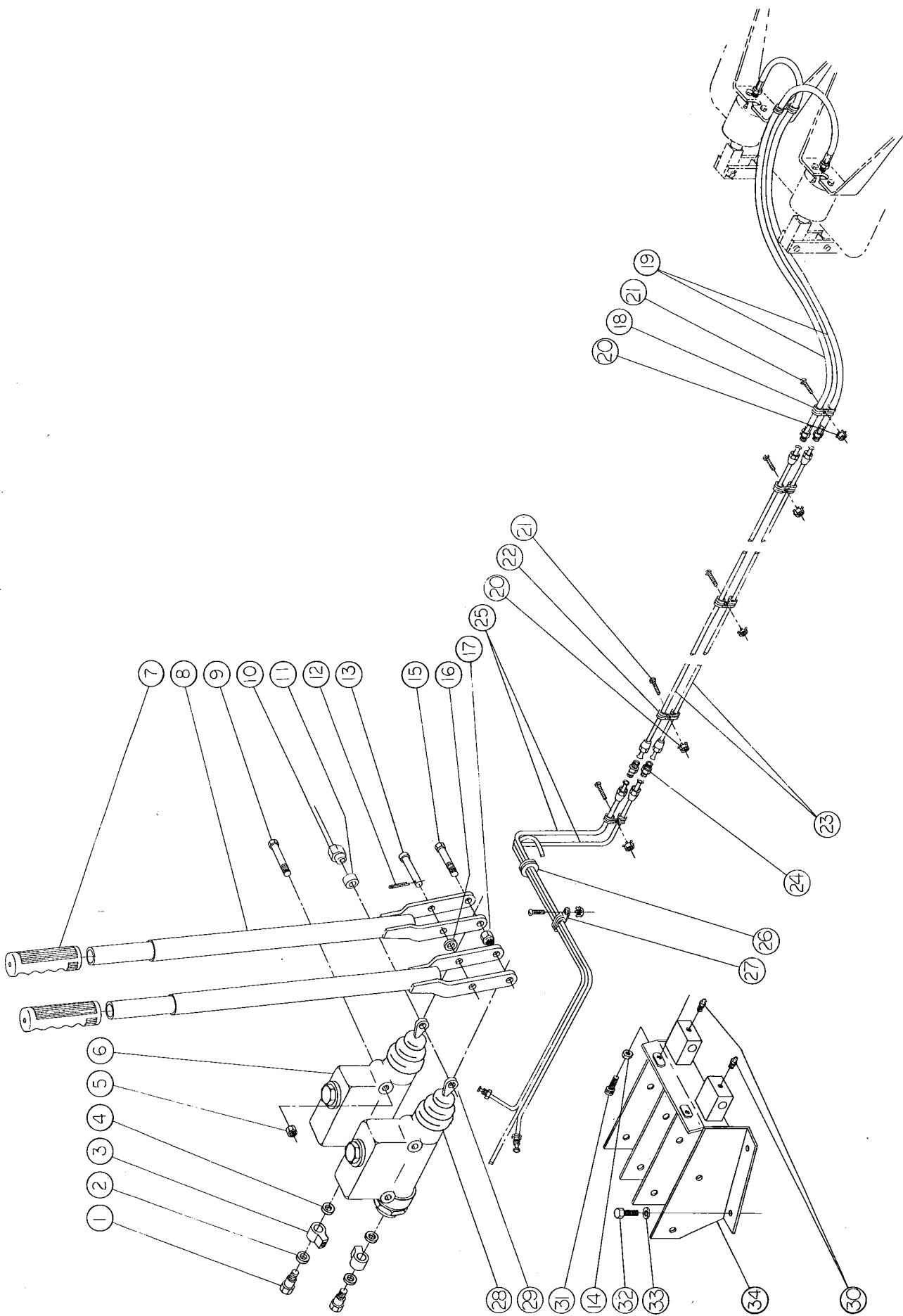


FIGURE 22-23  
(1200 SERIES)

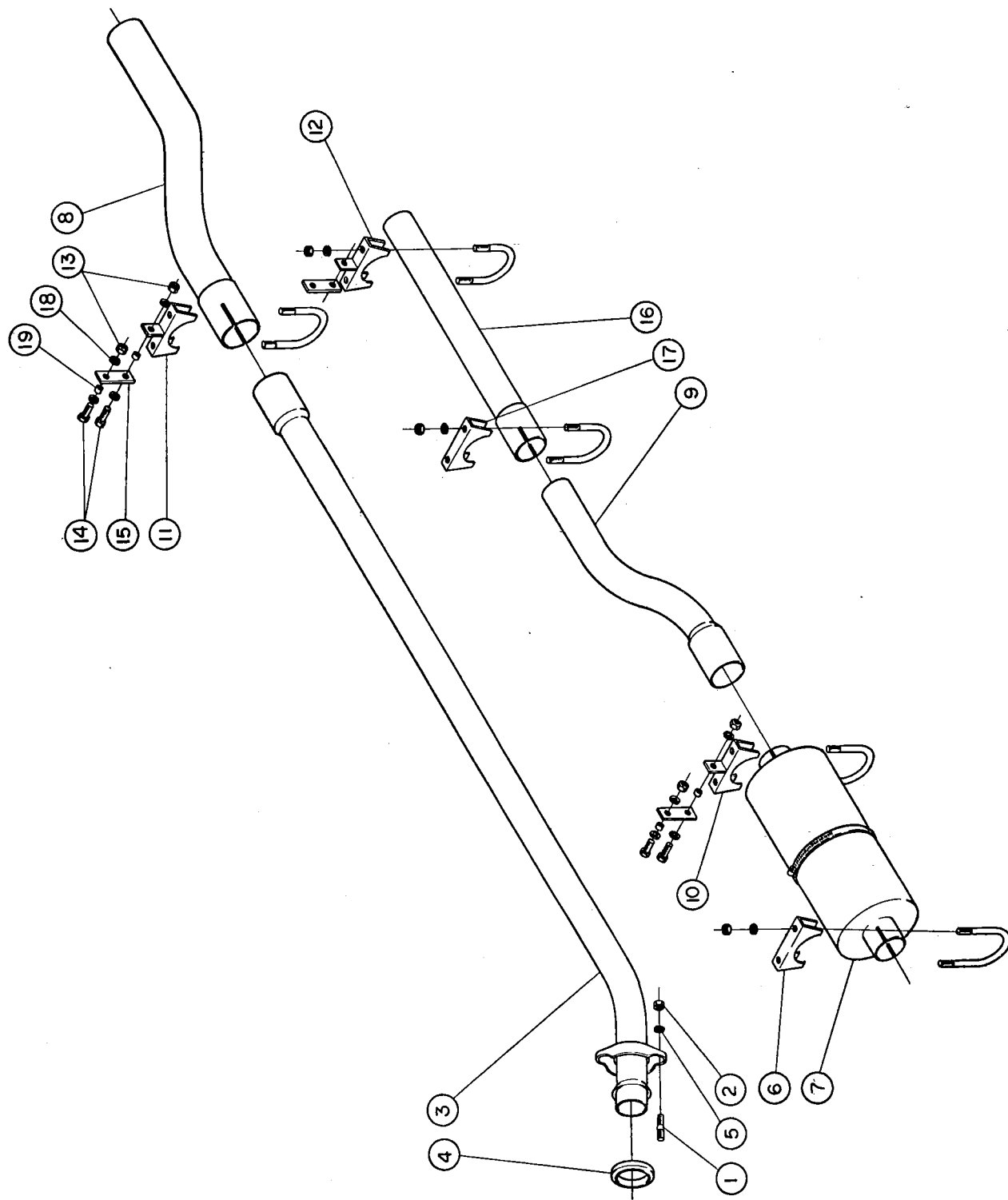


FIGURE 26-30  
 DATE 4-12-77  
 EXHAUST SYSTEM

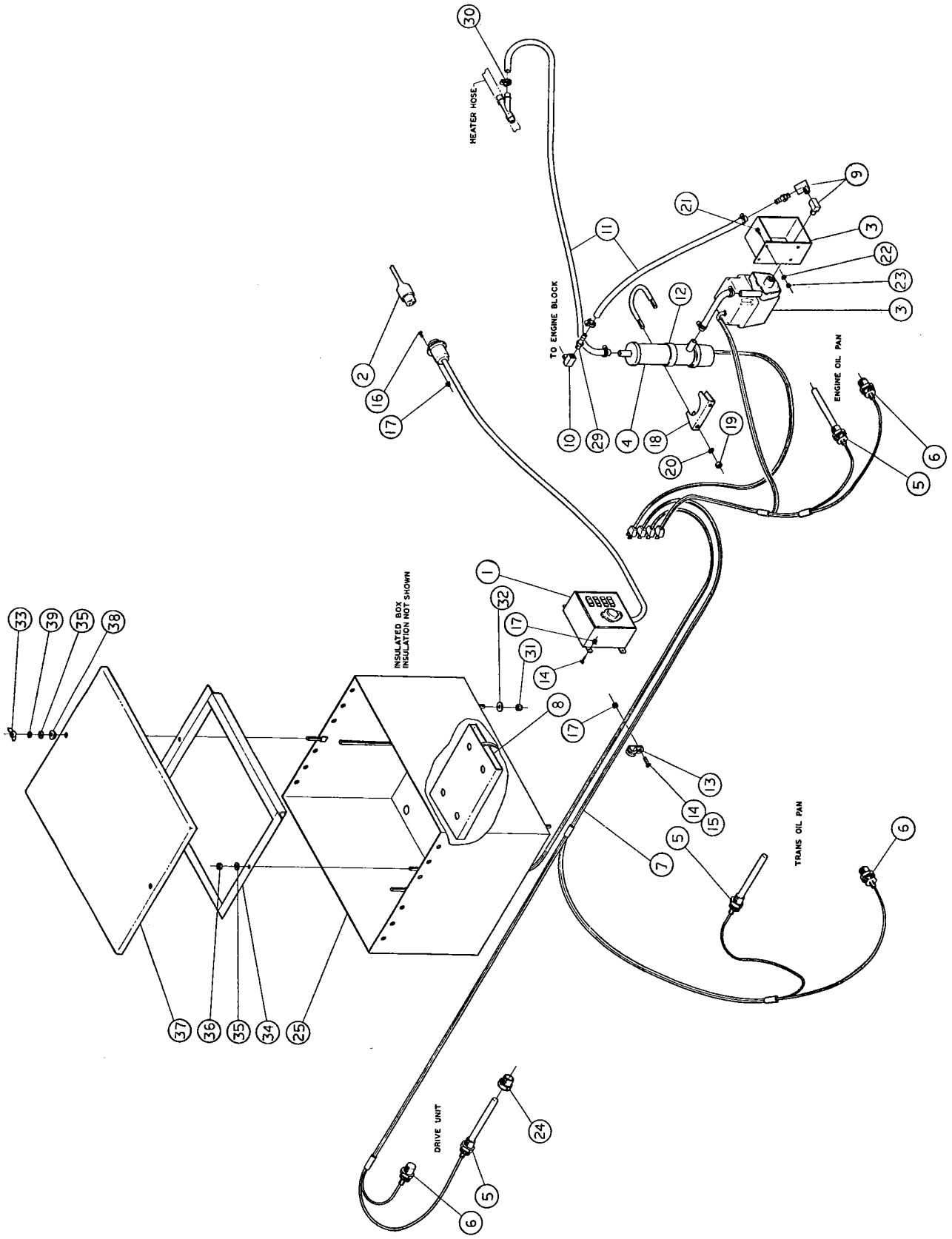


FIGURE 27-2  
 WINTERIZATION KIT